



Model: SW-S510-5S

Description:..... SP5T, Absorptive, PIN-Switch
 Operating Frequency:..... 2 – 18 GHz
 Insertion Loss: 3.2 dB Max
 Isolation (Arm-to-Arm):

2 – 9 GHz	9 –18 GHz
70 dB Min	60 dB Min

VSWR (“ON” Paths & “OFF” Ports):..... 1.9:1 Max
 Rise/Fall time (10% to 90% RF, 90% to 10% RF):... 10 ns Max
 On/Off time (50% TTL to 90% RF, 50%TTL to 10% RF):..... 40 ns Max
 Phase Balance (Deviation from Median):..... ±6° max
 Operating Power:..... CW & AVG..... +27dBm Max *
 * (+24dBm Max into “JX” Port @ Off-State)
 Peak: 5W @ 1µS PW & 10% Duty-Cycle Max
 Control Input Characteristics: Std. TTL / Unit-Load / Floating-High
 Control Logic:..... 5-Controls, Logic “0” = RF Path “ON”
 Power Supplies:..... +5(±0.25)V @ 140mA Max
 -12(±0.5)V @ 70mA Max
 Connectors (RF): SMA (f), Removable
 Connectors (Supplies/Controls) Solder Pins
 Impedance: 50 Ω Nominal
 Quality:..... Best-Commercial-Grade

Environmental Ratings:

Temperature:..... {Operating: -55°C to +95°C} & {Storage: -60°C to +110°C}
 Humidity: MIL-STD-202F, Method 103B, Cond. B (96 hours at 95% R.H.)
 Shock: MIL-STD-202F, Method 213B, Cond. B (75G, 6mSec)
 Vibration: MIL-STD-202F, Method 204D, Cond. B (.06” double amplitude, or 15G)
 Altitude: MIL-STD-202F, Method 105C, Cond. B (50,000 Feet)
 Temp. Shock: MIL-STD-202F, Method 107D, Cond. A (5 cycles)

Available Options:

(Units with listed options here may be subject to some specification tradeoffs from the standard, consult factory)

■ **Supply Voltages**

- A2 [+5(±0.25)V / -15(±0.5)V]
- A3 [+12(±0.5)V / -12(±0.5)V]
- A4 [+15(±0.5)V / -15(±0.5)V]

■ **RF Connectors**

- B1 [J1 – J5 Ports with SMA(M)]
- B2 [All SMA (M)]
- B3 [COM Port with SMA(M)]

■ **Control Function**

- F1 [Inverse Logic, (“1” = Path “ON”)]
- F2 [3-Bit Binary Controls + Enable] ; see below for “Outline Drawing” and “Function Table”

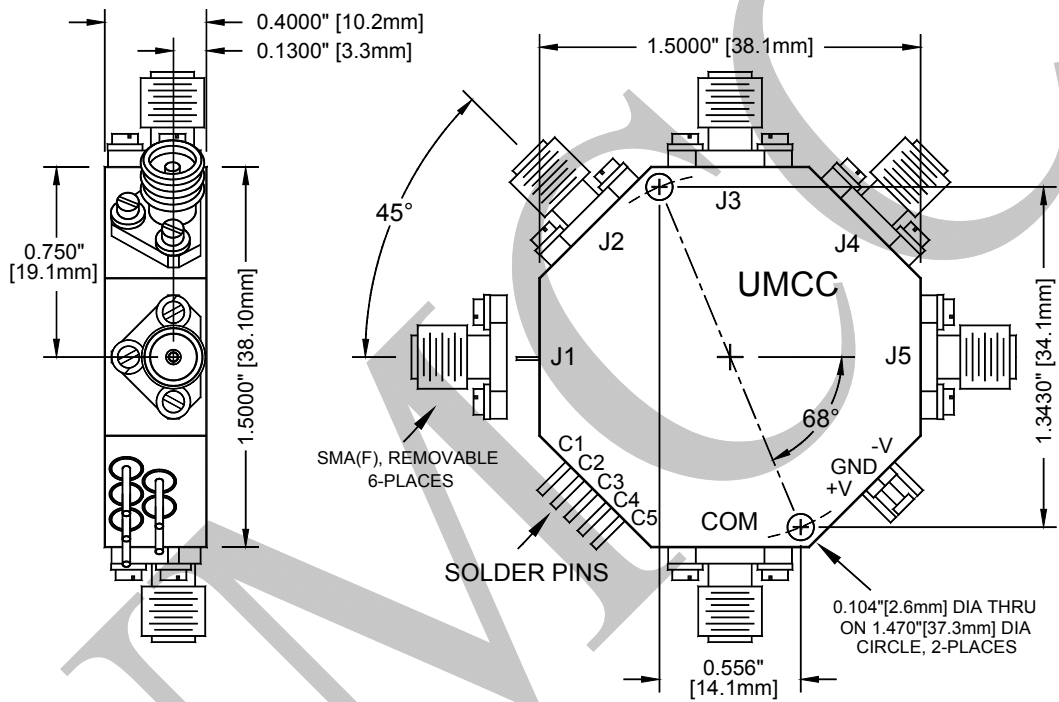
■ **Video Suppression Filter**

- G1 [VF @ COM Port <> 0.25 dB additional Loss]
- G2 [VF @ J1 – J5 Ports <> 0.25 dB additional Loss]
- G3 [VF @ All Ports <> 0.5 dB additional Loss]



Model: SW-S510-5S

Outline

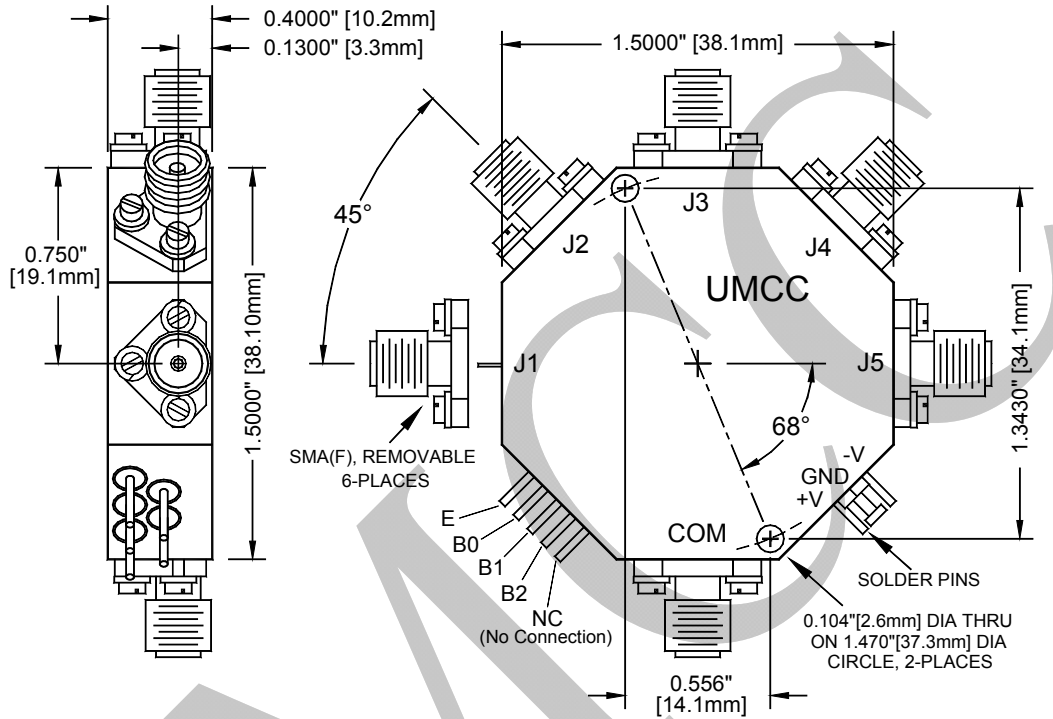


Weight	Tolerances
1.3 oz [36.9g]	±0.015" [±0.38mm]



Model: SW-S510-5S

Outline Drawing (SP5T Radial with Option "F2")



Weight	Tolerances
1.3 oz [36.9g]	±0.015" [±0.38mm]

Function Table for Option "F2" (3-Bit Binary Control + Enable)

INPUTS				RF PATH				
E	B2	B1	B0	J1	J2	J3	J4	J5
1	0	0	0	ON	OFF	OFF	OFF	OFF
1	0	0	1	OFF	ON	OFF	OFF	OFF
1	0	1	0	OFF	OFF	ON	OFF	OFF
1	0	1	1	OFF	OFF	OFF	ON	OFF
1	1	0	0	OFF	OFF	OFF	OFF	ON
0	X	X	X	OFF	OFF	OFF	OFF	OFF