



Model: SR-S510-3S

Description: SP3T, Absorptive, PIN-Switch
Operating Frequency: 2 - 18 GHz
Insertion Loss: 2.8 dB Max
Isolation (Arm-to-Arm):

Table with 2 columns: Frequency Range (2-9 GHz, 9-18 GHz) and Isolation (70 dB Min, 60 dB Min)

VSWR (RF Path 'ON' or 'OFF'): 1.8:1 Max
Rise/Fall time (10% to 90% RF, 90% to 10% RF): 10 ns Max
On/Off time (50% TTL to 90% RF, 50%TTL to 10% RF): 40 ns Max
Operating Power: CW & AVG: +27dBm Max \*
Peak: (+24dBm Max into 'JX' Port @ Off-State) 5W @ 1µS PW & 10% Duty-Cycle Max
Control Input Characteristics: Std. TTL / Unit-Load / Floating-High
Control Logic: 3-Controls, Logic '0' = RF Path 'ON'
Power Supplies: +5(±0.25)V @ 110mA Max
-12(±0.5)V @ 60mA Max
Connectors (RF): SMA (f), Removable
Connectors (Supplies/Controls): Solder Pins
Impedance: 50 Ω Nominal
Quality: Best-Commercial-Grade

Environmental Ratings:

Temperature: {Operating: -55°C to +95°C} & {Storage: -60°C to +110°C}
Humidity: MIL-STD-202F, Method 103B, Cond. B (96 hours at 95% R.H.)
Shock: MIL-STD-202F, Method 213B, Cond. B (75G, 6mSec)
Vibration: MIL-STD-202F, Method 204D, Cond. B (.06" double amplitude, or 15G)
Altitude: MIL-STD-202F, Method 105C, Cond. B (50,000 Feet)
Temp. Shock: MIL-STD-202F, Method 107D, Cond. A (5 cycles)

Available Options:

(Units with listed options here may be subject to some specification tradeoffs from the standard, consult factory)

Supply Voltages

- A2 [ +5(±0.25)V / -15(±0.5)V ]
A3 [ +12(±0.5)V / -12(±0.5)V ]
A4 [ +15(±0.5)V / -15(±0.5)V ]

Control Function

- F1 [ Inverse Logic, ('1' = Path 'ON') ]
F2 [ 2-Bit Binary Control ] ; see below for 'Outline Drawing' and 'Function Table'

RF Connectors

- B1 [ J1 - J3 Ports with SMA(M) ]
B2 [ All SMA (M) ]
B3 [ COM Port with SMA(M) ]

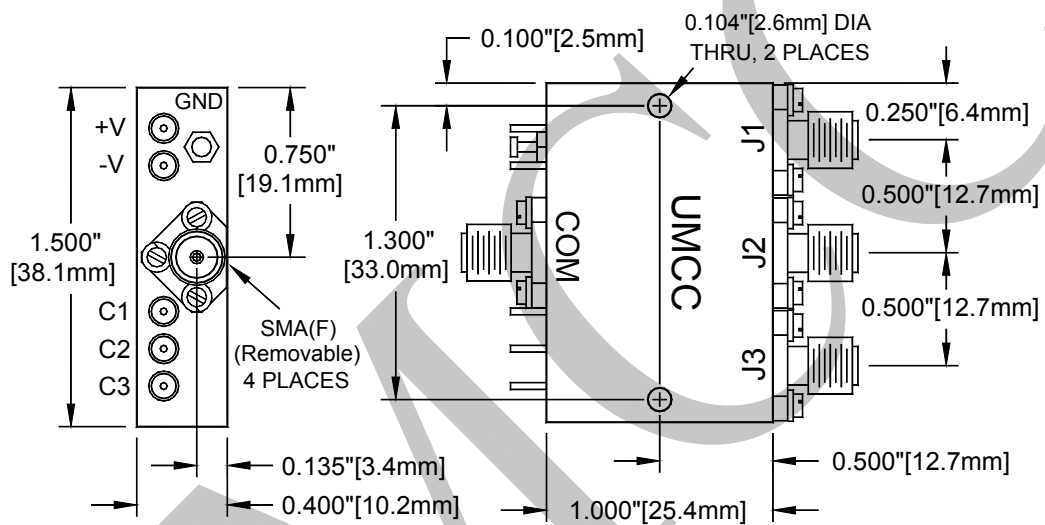
Video Suppression Filter

- G1 [ VF @ COM Port <> 0.25 dB additional Loss ]
G2 [ VF @ J1 - J3 Ports <> 0.25 dB additional Loss ]
G3 [ VF @ All Ports <> 0.5 dB additional Loss ]



Model: SR-S510-3S

**Outline**

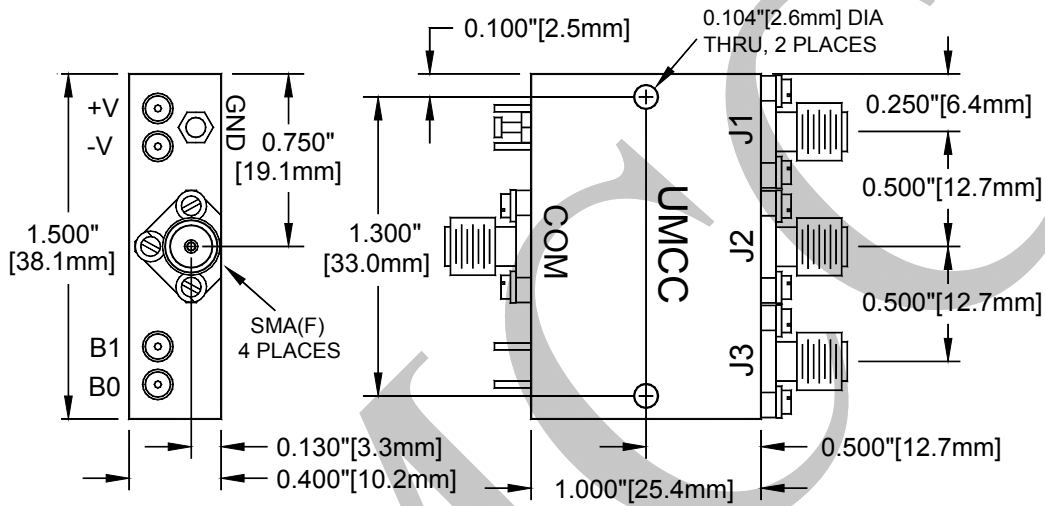


Weight	Tolerances
1.0 oz [28.3g]	±0.015" [±0.38mm]



Model: SR-S510-3S

**Outline Drawing (SP3T with Option "F2")**



Weight	Tolerances
1.0 oz [28.3g]	±0.015" [±0.38mm]

**Function Table for Option "F2" (2-Bit Binary Control)**

INPUTS		RF PATH		
B1	B0	J1	J2	J3
0	0	ON	OFF	OFF
0	1	OFF	ON	OFF
1	0	OFF	OFF	ON
1	1	OFF	OFF	OFF