



Models: SR-P20H-2S (Std. 2-Controls) -&- SR-P20H-2S-F2 (Single Toggle Control)

Description:..... SP2T, Reflective, PIN-Switch
 Operating Frequency:..... 2 - 20 GHz
 Insertion Loss: 2.5 dB Max
 Isolation (Arm-to-Arm): 50 dB Min
 VSWR (Path "ON"): 1.8:1 Max
 Phase Balance (Deviation from Median):..... ±5° max
 Rise/Fall Time (10% to 90% RF, 90% to 10% RF): 30 ns Max
 On/Off Time (50% TTL to 90% RF, 50%TTL to 10% RF): 70 ns Max
 Square Pulse Repetition Rate*:..... 4MHz Max (or Period ≥ 250ns)
 { * faster repetition rate will cause high current draw and may damage the switch driver permanently }
 Operating Power:..... CW/AVG +33dbm Max
 Peak 25W @ 1µs-PW & 8% Duty-Cycle Max
 Control Input Characteristics: Std. TTL / Unit-Load / Floating-High
 Control Logic*: see Outline-1 2-Controls, Logic "0" = RF Path "ON"

* For single toggle control, add suffix "-F2" to the base model number <> **SR-P20H-2S-F2** <> see Outline-2
 Control Logic (Single-Control): Logic "1" COM-J1 Path "ON"
 Logic "0" COM-J2 Path "ON"

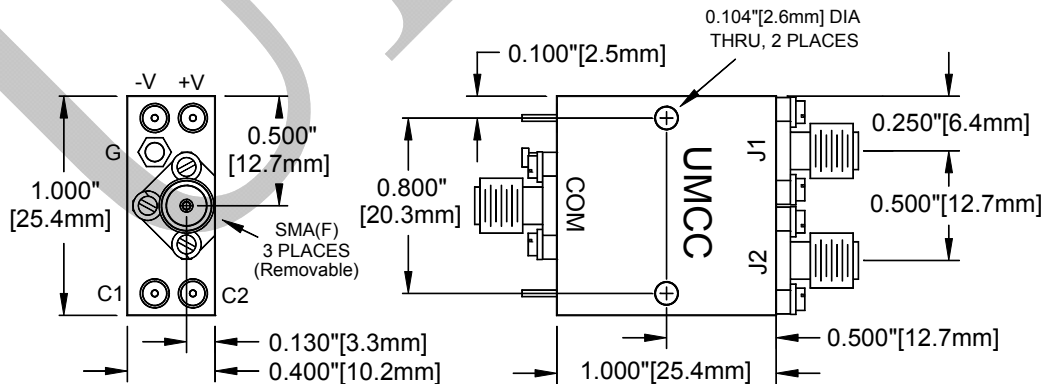
Power Supplies:..... +5(±0.25) V @ 70mA Max
 -12(±0.5) V @ 70mA Max
 Connectors (RF): SMA (f), Removable
 Connectors (Supplies/Controls) Solder Pins
 Impedance: 50 Ω Nominal
 Quality: Best-Commercial-Grade

Environmental Ratings:

Temperature:..... {Operating: -55°C to +95°C} & {Storage: -60°C to +110°C}
 Humidity: MIL-STD-202F, Method 103B, Cond. B (96 hours at 95% R.H.)
 Shock: MIL-STD-202F, Method 213B, Cond. B (75G, 6mSec)
 Vibration: MIL-STD-202F, Method 204D, Cond. B (.06" double amplitude, or 15G)
 Altitude: MIL-STD-202F, Method 105C, Cond. B (50,000 Feet)
 Temp. Shock: MIL-STD-202F, Method 107D, Cond. A (5 cycles)

Outline-1

Model: SR-P20H-2S <> Base model with two independent controls



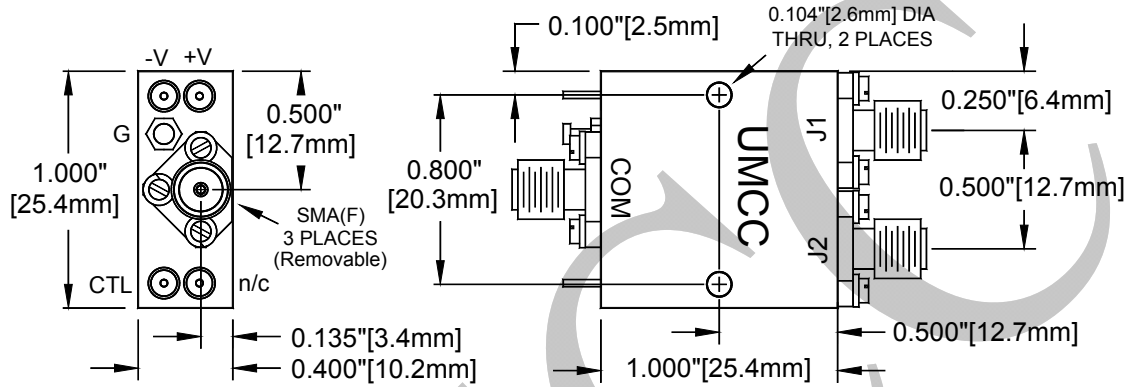
Weight	Tolerances
0.7 oz [19.8 g]	±0.015" [±0.38mm]



Models: SR-P20H-2S (Std. 2-Controls) -&- SR-P20H-2S-F2 (Single Toggle Control)

Outline-2

Model: SR-P20H-2S-F2 <> Option for single toggle control



Weight	Tolerances
0.7 oz [19.8 g]	±0.015" [±0.38mm]