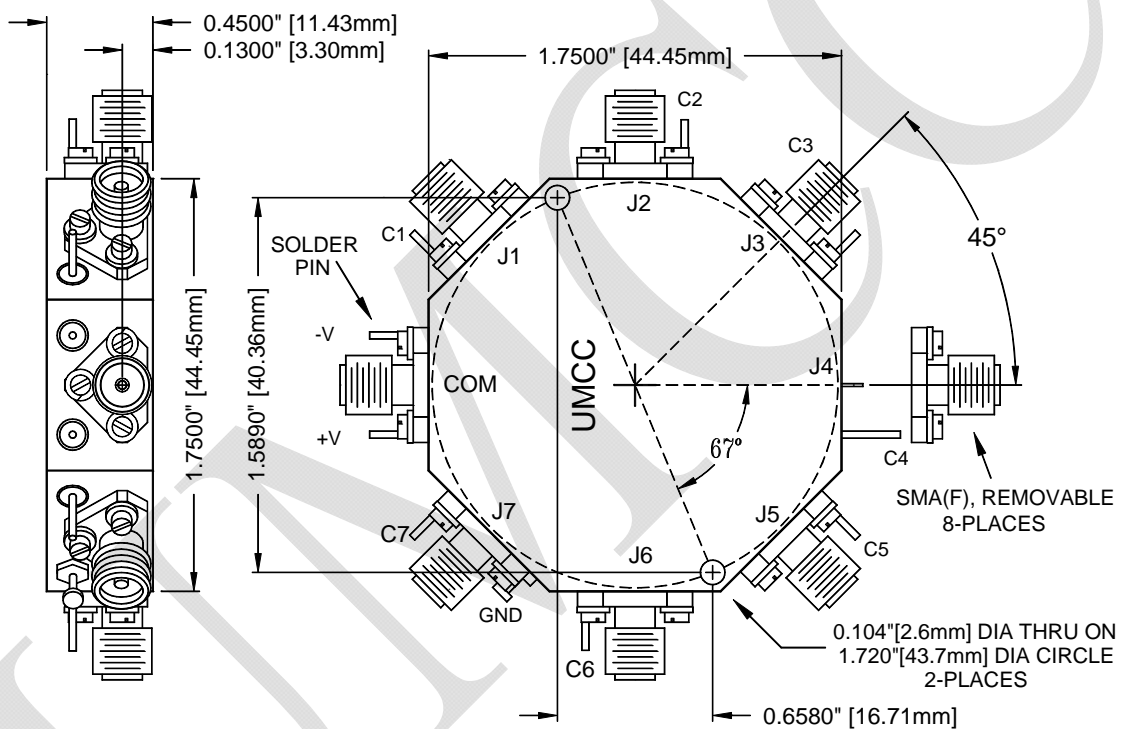


**Outline Drawing (SP7T Radial)**

**Fig. 3**



Weight	Tolerances
1.83 oz [51.9g]	±0.015" [±0.38mm]