



**Model: SW-V000-7S**

Description:..... SP7T, Reflective, PIN-Switch  
 Operating Frequency:..... 0.1 – 18 GHz  
 Insertion Loss:..... 4.0 dB Max  
 Isolation:

0.1 –15 GHz	15 –18 GHz
70 dB Min	65 dB Min

VSWR (“ON” paths):..... 2:1 Max  
 Rise/Fall time (10% to 90% RF, 90% to 10% RF):... 50 ns Max  
 On/Off time (50% TTL to 90% RF, 50%TTL to 10% RF):..... 150 ns Max  
 Phase Balance (Deviation from Median):..... ±8° max  
 Operating Power:..... CW / AVG ..... +30 dBm Max \*  
 ..... \* ..... {+27dbm Max below 300MHz}  
 ..... Peak: ..... 5W @ 1µS PW & 10% Duty-Cycle Max  
 Control Input Characteristics: ..... Std. TTL / Unit-Load / Floating-High  
 Control Logic:..... 7-Controls, Logic “0” = RF Path “ON”  
 Power Supplies:..... +5(±0.25)V @ 240mA Max  
 ..... -12(±0.5)V @ 90mA Max  
 Connectors (RF):..... SMA (f), Removable  
 Connectors (Supplies/Controls) ..... Solder Pins  
 Impedance:..... 50 Ohms Nominal  
 Quality:..... Best-Commercial-Grade

**Environmental Ratings:**

Temperature:..... {Operating: -55°C to +95°C} & {Storage: -60°C to +110°C}  
 Humidity: ..... MIL-STD-202F, Method 103B, Cond. B (96 hours at 95% R.H.)  
 Shock: ..... MIL-STD-202F, Method 213B, Cond. B (75G, 6mSec)  
 Vibration: ..... MIL-STD-202F, Method 204D, Cond. B (.06” double amplitude, or 15G)  
 Altitude: ..... MIL-STD-202F, Method 105C, Cond. B (50,000 Feet)  
 Temp. Shock: ..... MIL-STD-202F, Method 107D, Cond. A (5 cycles)

**Available Options:**

(Units with listed options here may be subject to some specification tradeoffs from the standard, consult factory)

■ **Supply Voltages**

- A2 [ +5(±0.25)V / -15(±0.5)V ]
- A3 [ +12(±0.5)V / -12(±0.5)V ]
- A4 [ +15(±0.5)V / -15(±0.5)V ]

■ **RF Connectors**

- B1 [ J1 – J7 Ports with SMA(M) ]
- B2 [ All SMA (M) ]
- B3 [ COM Port with SMA(M) ]

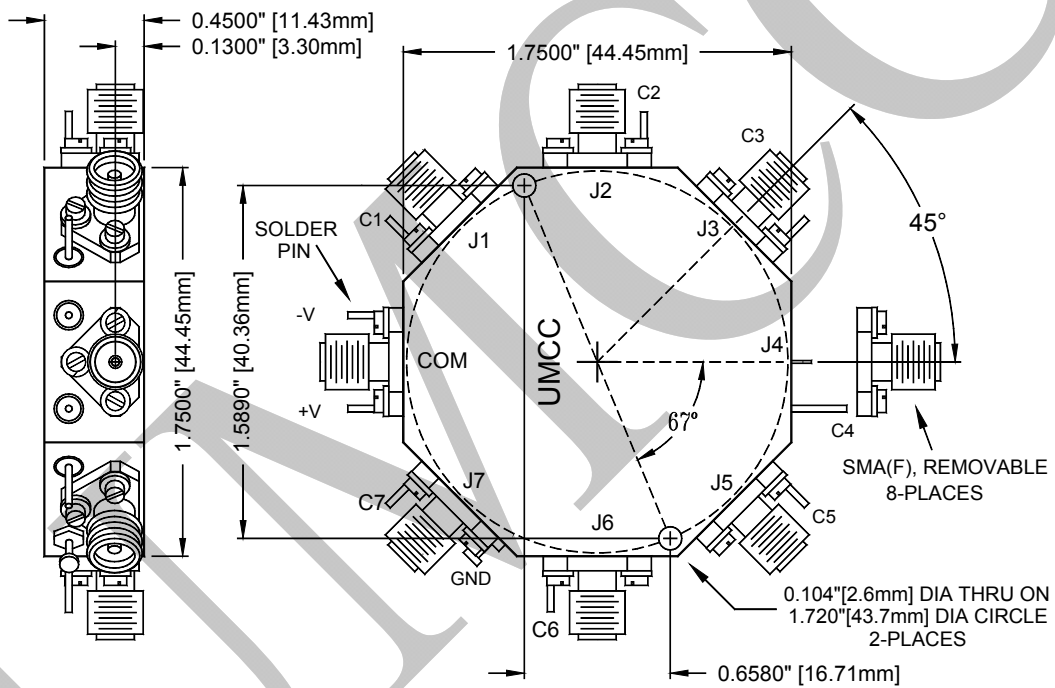
■ **Control Function**

- F1 [ Inverse Logic, (“1” = Path “ON”) ]



Model: SW-V000-7S

**Outline**



Weight	Tolerances
1.83 oz [51.9g]	±0.015" [±0.38mm]