



Model: SW-U000-7S

Description: SP7T, Reflective, PIN-Switch
Operating Frequency: 0.5 – 18 GHz
Insertion Loss: 3.8 dB Max
Isolation (Arm-to-Arm):

Table with 2 columns: Frequency Range (2-15 GHz, 15-18 GHz) and Isolation (70 dB Min, 65 dB Min)

VSWR ("ON" paths): 2:1 Max
Rise/Fall time (10% to 90% RF, 90% to 10% RF): 60 ns Max
On/Off time (50% TTL to 90% RF, 50%TTL to 10% RF): 100 ns Max
Phase Balance (Deviation from Median): ±6° max
Operating Power: CW&AVG: +30dBm Max
Peak: 10W @ 1µS PW & 10% Duty-Cycle Max
Control Input Characteristics: TTL / Unit-Load / Floating-High
Control Logic: 7-Controls, Logic "0" = RF Path "ON"
Power Supplies: +5(±0.25)V @ 240mA Max
-12(±0.5)V @ 90mA Max
Connectors (RF): SMA (f), Removable
Connectors (Supplies/Controls): Solder Pins
Impedance: 50 Ohms Nominal
Quality: Best-Commercial-Grade

Environmental Ratings:

Temperature: {Operating: -55°C to +95°C} & {Storage: -60°C to +110°C}
Humidity: MIL-STD-202F, Method 103B, Cond. B (96 hours at 95% R.H.)
Shock: MIL-STD-202F, Method 213B, Cond. B (75G, 6mSec)
Vibration: MIL-STD-202F, Method 204D, Cond. B (.06" double amplitude, or 15G)
Altitude: MIL-STD-202F, Method 105C, Cond. B (50,000 Feet)
Temp. Shock: MIL-STD-202F, Method 107D, Cond. A (5 cycles)

Available Options:

(Units with listed options here may be subject to some specification tradeoffs from the standard, consult factory)

Supply Voltages

- A1 [+5(±0.25)V / -5(±0.25)V] *
A2 [+5(±0.25)V / -15(±0.5)V]
A3 [+12(±0.5)V / -12(±0.5)V]
A4 [+15(±0.5)V / -15(±0.5)V]

Control Function

- F1 [Inverse Logic, ("1" = Path "ON")]

RF Connectors

- B1 [J1 – J7 Ports with SMA(M)]
B2 [All SMA (M)]
B3 [COM Port with SMA(M)]

Video Suppression Filter

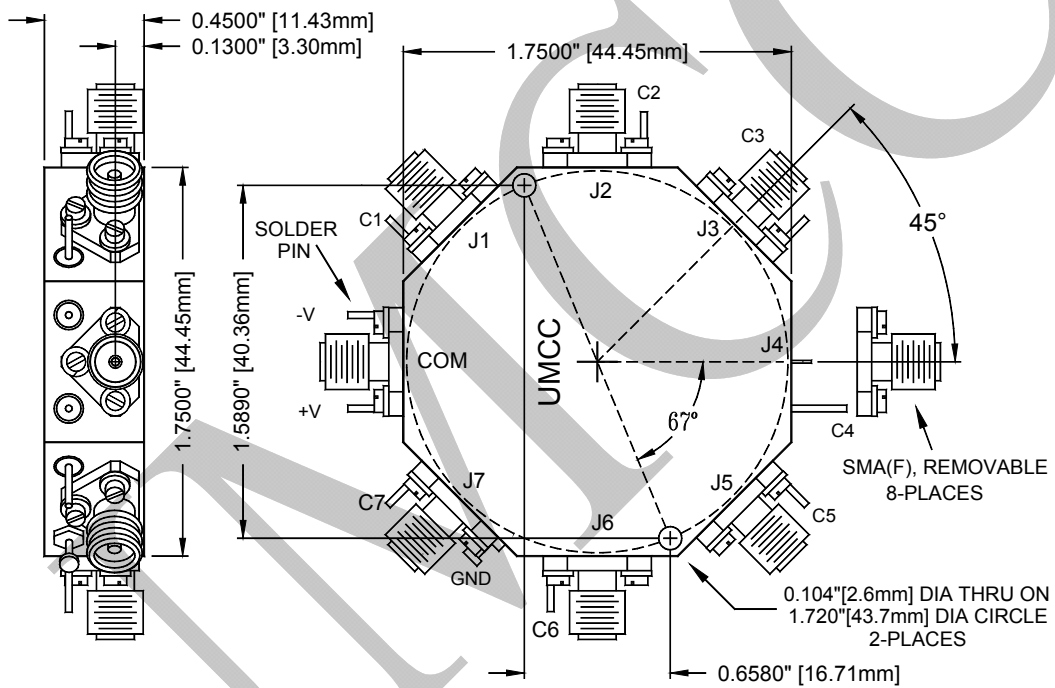
- G1 [VF @ COM Port <> 0.25 dB additional Loss]
G2 [VF @ J1 – J7 Ports <> 0.25 dB additional Loss]
G3 [VF @ All Ports <> 0.5 dB additional Loss]

* Recommended for Low Power Consumption <> Additional Switching Delay (ON/OFF time)



Model: SW-U000-7S

Outline



Weight	Tolerances
1.83 oz [51.9g]	±0.015" [±0.38mm]