



Model: SW-B300-7S

Description:.....	SP7T, Reflective, PIN-Switch
Operating Frequency:.....	20 – 6000 MHz
Insertion Loss:.....	3.0 dB Max
Isolation:.....	70 dB Min
VSWR (“ON” paths):.....	1.6:1 Max (1.7:1 Over 20-30MHz)
Rise/Fall time (10% to 90% RF, 90% to 10% RF): ...	200 ns Max
On/Off time (50% TTL to 90% RF, 50%TTL to 10% RF):.....	300 ns Max
Phase Balance (Deviation from Median):.....	±3° max
Operating Power:.....	CW / AVG +27dBm Max *
.....	* {+23dbm Max below 100MHz}
.....	Peak: 5W @ 5µS PW Max
Control Input Characteristics:.....	Std. TTL / Unit-Load / Floating-High
Control Logic:.....	7-Controls, Logic “0” = RF Path “ON”
Power Supplies:.....	+5(±0.25)V @ 90mA Max
.....	-12(±0.5)V @ 100mA Max
Connectors (RF):.....	SMA (f), Removable
Connectors (Supplies/Controls).....	Solder Pins
Impedance:.....	50 Ω Nominal
Quality:.....	Best-Commercial-Grade

Environmental Ratings:

Temperature:.....	{Operating: -55°C to +95°C} & {Storage: -60°C to +110°C}
Humidity:.....	MIL-STD-202F, Method 103B, Cond. B (96 hours at 95% R.H.)
Shock:.....	MIL-STD-202F, Method 213B, Cond. B (75G, 6mSec)
Vibration:.....	MIL-STD-202F, Method 204D, Cond. B (.06” double amplitude, or 15G)
Altitude:.....	MIL-STD-202F, Method 105C, Cond. B (50,000 Feet)
Temp. Shock:.....	MIL-STD-202F, Method 107D, Cond. A (5 cycles)

Available Options:

(Units with listed options here may be subject to some specification tradeoffs from the standard, consult factory)

■ **Supply Voltages**

- A1 [+5(±0.25)V / -5(±0.25)V] *
- A2 [+5(±0.25)V / -15(±0.5)V]
- A3 [+12(±0.5)V / -12(±0.5)V]
- A4 [+15(±0.5)V / -15(±0.5)V]

■ **RF Connectors**

- B1 [J1 – J7 Ports with SMA(M)]
- B2 [All SMA (M)]
- B3 [COM Port with SMA(M)]

■ **Control Function**

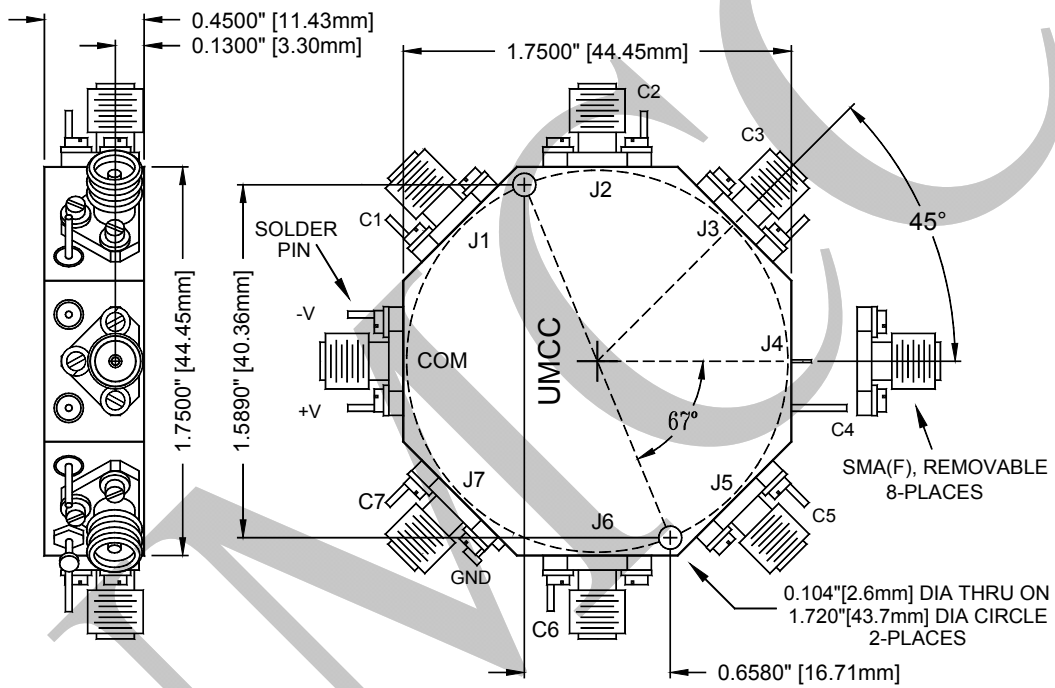
- F1 [Inverse Logic, (“1” = Path “ON”)]

* Recommended for Low Power Consumption <> Additional Switching Delay (ON/OFF time)



Model: SW-B300-7S

Outline



Weight	Tolerances
1.83 oz [51.9g]	±0.015" [±0.38mm]