



**Model: SW-B300-5S**

Description:	SP5T, Reflective, PIN-Switch
Operating Frequency:	20 – 6000 MHz
Insertion Loss:	2.7 dB Max
Isolation:	70 dB Min
VSWR (“ON” paths):	1.5:1 Max (1.7:1 Over 20-30MHz)
Rise/Fall time (10% to 90% RF, 90% to 10% RF):	200 ns Max
On/Off time (50% TTL to 90% RF, 50%TTL to 10% RF):	300 ns Max
Phase Balance (Deviation from Median):	±2° max
Operating Power:	CW / AVG +27dBm Max *
	* {+23dbm Max below 100MHz}
	Peak: 5W @ 5µS PW Max
Control Input Characteristics:	Std. TTL / Unit-Load / Floating-High
Control Logic:	5-Controls, Logic “0” = RF Path “ON”
Power Supplies:	+5(±0.25)V @ 70mA Max
	-12(±0.5)V @ 90mA Max
Connectors (RF):	SMA (f), Removable
Connectors (Supplies/Controls)	Solder Pins
Impedance:	50 Ω Nominal
Quality:	Best-Commercial-Grade

**Environmental Ratings:**

Temperature:	{Operating: -55°C to +95°C} & {Storage: -60°C to +110°C}
Humidity:	MIL-STD-202F, Method 103B, Cond. B (96 hours at 95% R.H.)
Shock:	MIL-STD-202F, Method 213B, Cond. B (75G, 6mSec)
Vibration:	MIL-STD-202F, Method 204D, Cond. B (.06” double amplitude, or 15G)
Altitude:	MIL-STD-202F, Method 105C, Cond. B (50,000 Feet)
Temp. Shock:	MIL-STD-202F, Method 107D, Cond. A (5 cycles)

**Available Options:**

(Units with listed options here may be subject to some specification tradeoffs from the standard, consult factory)

■ **Supply Voltages**

- A1 [ +5(±0.25)V / -5(±0.25)V ] \*
- A2 [ +5(±0.25)V / -15(±0.5)V ]
- A3 [ +12(±0.5)V / -12(±0.5)V ]
- A4 [ +15(±0.5)V / -15(±0.5)V ]

■ **RF Connectors**

- B1 [ J1 – J5 Ports with SMA(M) ]
- B2 [ All SMA (M) ]
- B3 [ COM Port with SMA(M) ]

■ **Control Function**

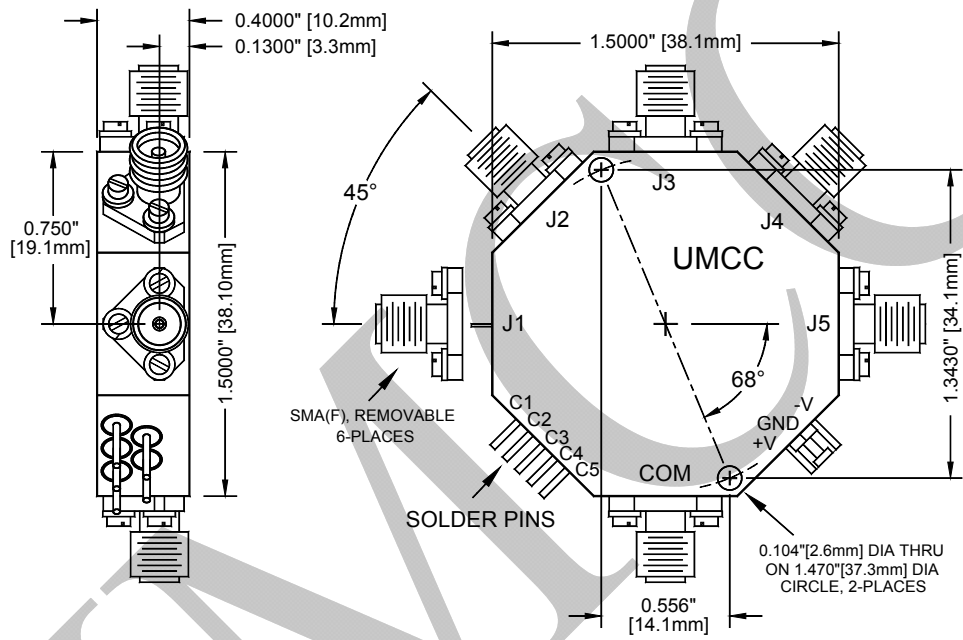
- F1 [ Inverse Logic, (“1” = Path “ON”) ]
- F2 [ 3-Bit Binary Controls + Enable ] ; see below for “Outline Drawing” and “Function Table”

\* Recommended for Low Power Consumption <> Additional Switching Delay (ON/OFF time)



Model: SW-B300-5S

**Outline**

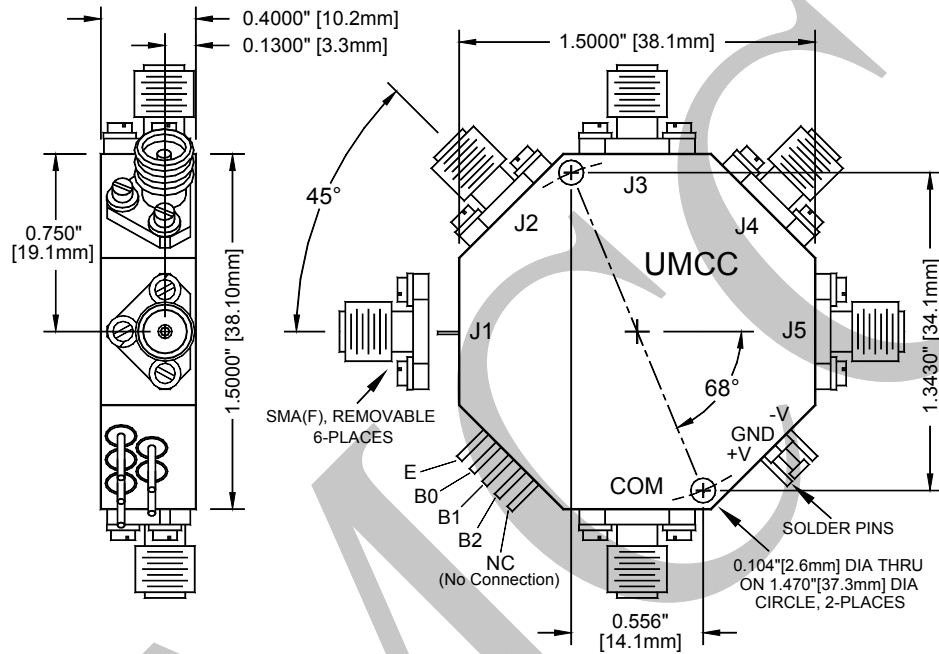


Weight	Tolerances
1.3 oz [36.9g]	±0.015" [±0.38mm]



Model: SW-B300-5S

**Outline**  
 (with Option "F2")



Weight	Tolerances
1.3 oz [36.9g]	±0.015" [±0.38mm]

**Function Table for Option "F2"**  
 (3-Bit Binary Control + Enable)

INPUTS				RF PATH				
E	B2	B1	B0	J1	J2	J3	J4	J5
1	0	0	0	ON	OFF	OFF	OFF	OFF
1	0	0	1	OFF	ON	OFF	OFF	OFF
1	0	1	0	OFF	OFF	ON	OFF	OFF
1	0	1	1	OFF	OFF	OFF	ON	OFF
1	1	0	0	OFF	OFF	OFF	OFF	ON
0	X	X	X	OFF	OFF	OFF	OFF	OFF