



Model: SW-G070-4S

Description:..... SP4T, Absorptive, PIN-Switch
Operating Frequency:..... 0.3 – 20 GHz
Insertion Loss: 3.8 dB Max
Isolation (Arm-to-Arm):

0.3 – 10 GHz	10 – 20 GHz
85 dB Min	75 dB Min

VSWR (RF Path “ON” or “OFF”): 2:1 Max
Rise/Fall time (10% to 90% RF, 90% to 10% RF):..... 50 ns Max
On/Off time (50% TTL to 90% RF, 50%TTL to 10% RF):..... 150 ns Max
Phase Balance (Deviation from Median):..... ±10° max
Operating Power:..... CW&AVG..... +24dBm Max
..... Peak: 5W @ 1µS PW Max / 10% Duty-Cycle Max
Control Input Characteristics: Std. TTL / Unit-Load / Floating-High
Control Logic:..... 4-Controls, Logic “0” = RF Path “ON”
Power Supplies:..... +5(±0.25)V @ 160mA Max
..... -12(±0.5)V @ 70mA Max
Connectors (RF):..... SMA (f), Removable
Connectors (Supplies/Controls) Solder Pins
Impedance:..... 50 Ω Nominal
Quality:..... Best-Commercial-Grade

Environmental Ratings:

Temperature:..... {Operating: -55°C to +95°C} & {Storage: -60°C to +110°C}
Humidity: MIL-STD-202F, Method 103B, Cond. B (96 hours at 95% R.H.)
Shock: MIL-STD-202F, Method 213B, Cond. B (75G, 6mSec)
Vibration: MIL-STD-202F, Method 204D, Cond. B (.06” double amplitude, or 15G)
Altitude: MIL-STD-202F, Method 105C, Cond. B (50,000 Feet)
Temp. Shock: MIL-STD-202F, Method 107D, Cond. A (5 cycles)

Available Options:

(Units with listed options here may be subject to some specification tradeoffs from the standard, consult factory)

■ **Supply Voltages**

- A2 [+5(±0.25)V / -15(±0.5)V]
- A3 [+12(±0.5)V / -12(±0.5)V]
- A4 [+15(±0.5)V / -15(±0.5)V]

■ **RF Connectors**

- B1 [J1 – J4 Ports with SMA(M)]
- B2 [All SMA (M)]
- B3 [COM Port with SMA(M)]

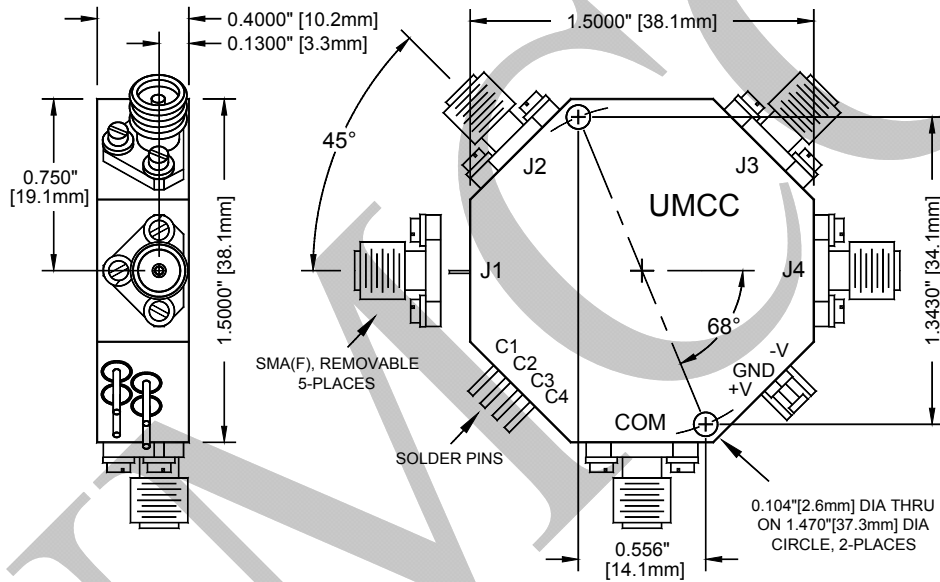
■ **Control Function**

- F1 [Inverse Logic, (“1” = Path “ON”)]
- F2 [2-Bit Binary Controls + Enable] ; see below for “Outline Drawing” and “Function Table”



Model: SW-G070-4S

Outline

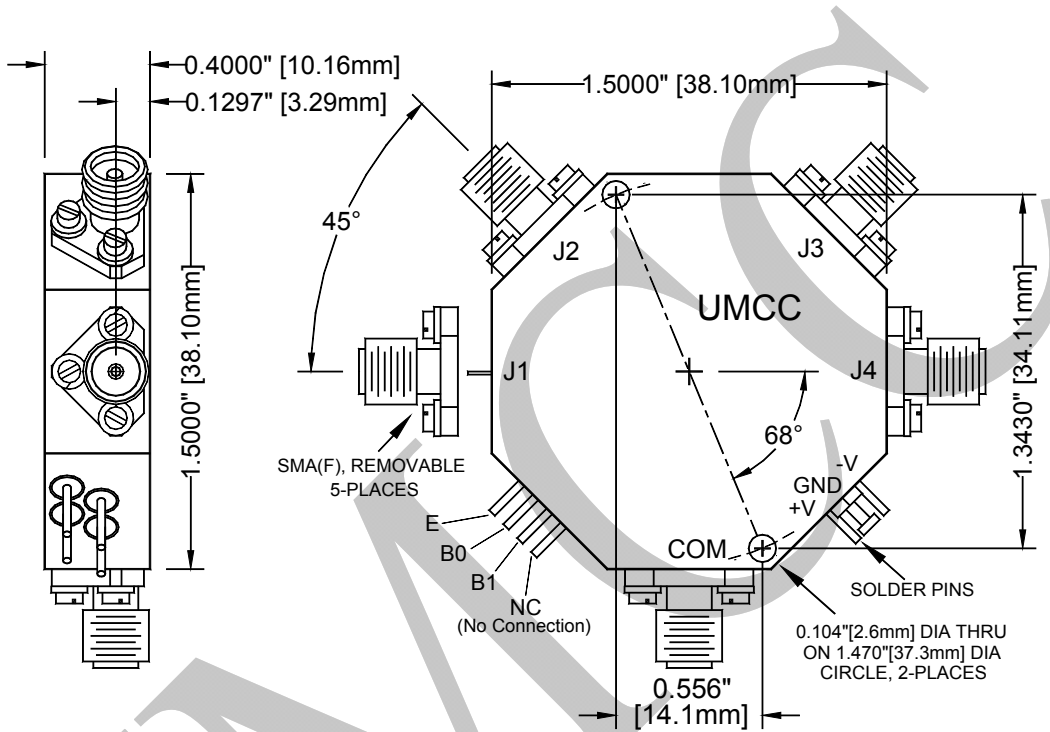


Weight	Tolerances
1.2 oz [34.0g]	±0.015" [±0.38mm]



Model: SW-G070-4S

Outline Drawing (SP4T Radial with Option "F2")



Weight	Tolerances
1.2 oz [34.0g]	±0.015" [±0.38mm]

Function Table for Option "F2" (2-Bit Binary Control + Enable)

INPUTS			RF PATH			
E	B1	B0	J1	J2	J3	J4
1	0	0	ON	OFF	OFF	OFF
1	0	1	OFF	ON	OFF	OFF
1	1	0	OFF	OFF	ON	OFF
1	1	1	OFF	OFF	OFF	ON
0	X	X	OFF	OFF	OFF	OFF