



**Model: SR-V070-3S**

Description:	SP3T, Absorptive, PIN-Switch
Operating Frequency:	0.1 – 18 GHz
Insertion Loss:	3.8 dB Max
Isolation:	75 dB Min
VSWR (RF Path "ON" or "OFF"):	1.9:1 Max
Rise/Fall time (10% to 90% RF, 90% to 10% RF):	50 ns Max
On/Off time (50% TTL to 90% RF, 50%TTL to 10% RF):	150 ns Max
Operating Power:	CW&AVG: +24dBm Max
	Peak: 5W @ 1µS PW Max
Control Input Characteristics:	Std. TTL / Unit-Load / Floating-High
Control Logic:	3-Controls, Logic "0" = RF Path "ON"
Power Supplies:	+5(±0.25)V @ 120mA Max
	-12(±0.5)V @ 60mA Max
Connectors (RF):	SMA (f), Removable
Connectors (Supplies/Controls)	Solder Pins
Impedance:	50 Ohms Nominal
Quality:	Best-Commercial-Grade

**Environmental Ratings:**

Temperature:	{Operating: -55°C to +95°C} & {Storage: -60°C to +110°C}
Humidity:	MIL-STD-202F, Method 103B, Cond. B (96 hours at 95% R.H.)
Shock:	MIL-STD-202F, Method 213B, Cond. B (75G, 6mSec)
Vibration:	MIL-STD-202F, Method 204D, Cond. B (.06" double amplitude, or 15G)
Altitude:	MIL-STD-202F, Method 105C, Cond. B (50,000 Feet)
Temp. Shock:	MIL-STD-202F, Method 107D, Cond. A (5 cycles)

**Available Options:**

(Units with listed options here may be subject to some specification tradeoffs from the standard, consult factory)

■ **Supply Voltages**

A2 [ +5(±0.25)V / -15(±0.5)V ]

A3 [ +12(±0.5)V / -12(±0.5)V ]

A4 [ +15(±0.5)V / -15(±0.5)V ]

■ **RF Connectors**

B1 [ J1 – J3 Ports with SMA(M) ]

B2 [ All SMA (M) ]

B3 [ COM Port with SMA(M) ]

■ **Control Function**

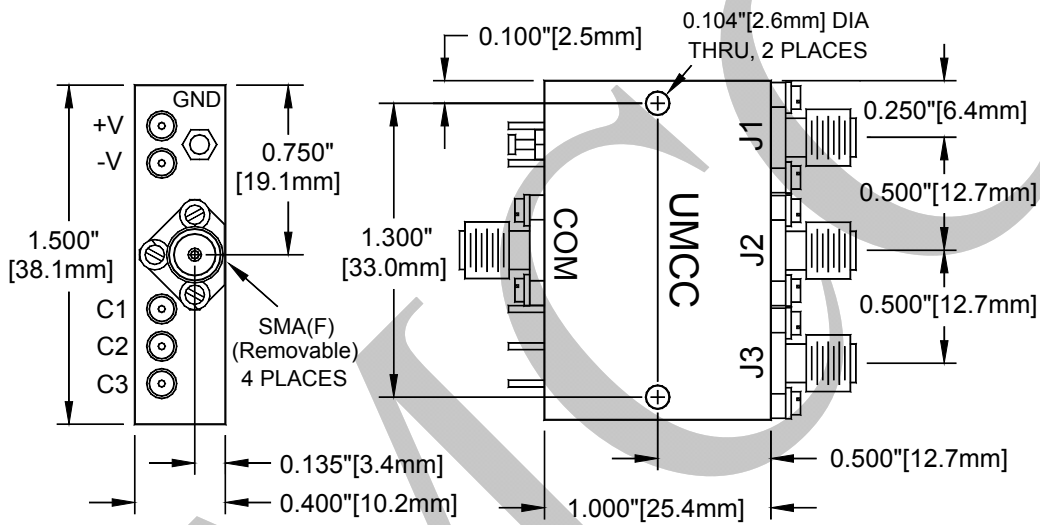
F1 [ Inverse Logic, ("1" = Path "ON") ]

F2 [ 2-Bit Binary Control ] ; see below for "Outline Drawing" and "Function Table"



Model: SR-V070-3S

**Outline**

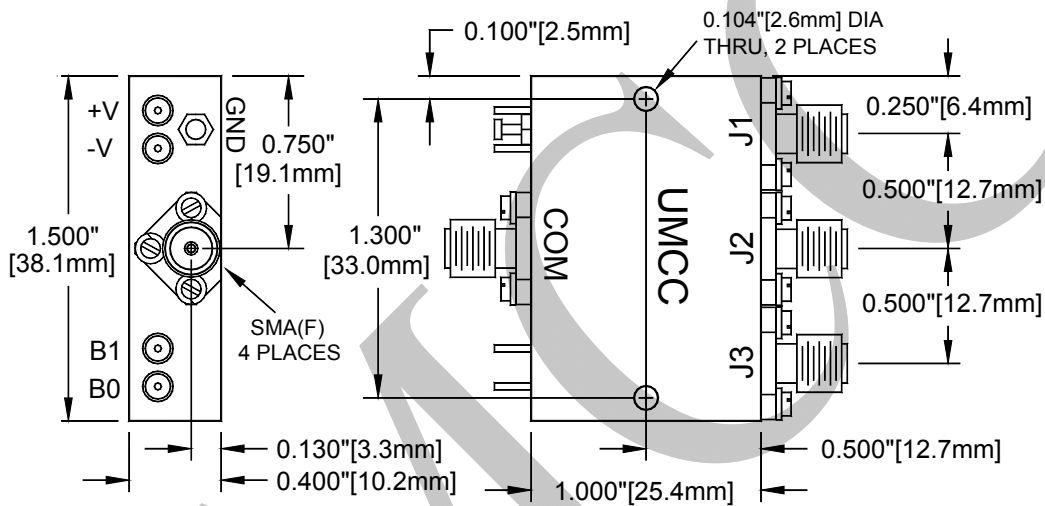


Weight	Tolerances
1.0 oz [28.3g]	±0.015" [±0.38mm]



Model: SR-V070-3S

**Outline Drawing (SP3T with Option "F2")**



Weight	Tolerances
1.0 oz [28.3g]	±0.015" [±0.38mm]

**Function Table for Option "F2" (2-Bit Binary Control)**

INPUTS		RF PATH		
B1	B0	J1	J2	J3
0	0	ON	OFF	OFF
0	1	OFF	ON	OFF
1	0	OFF	OFF	ON
1	1	OFF	OFF	OFF