



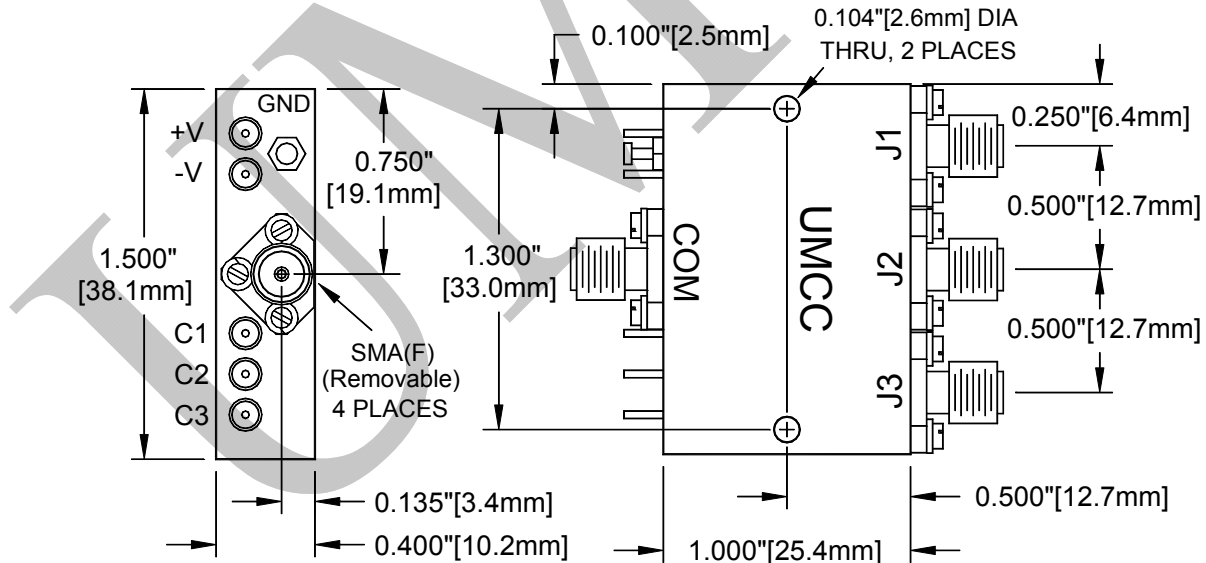
**Model: SR-U20H-3S**

Description:..... SP3T, Reflective, PIN-Switch  
 Operating Frequency:..... 0.5 – 18 GHz  
 Insertion Loss:..... 2.4 dB Max  
 Isolation:..... 50 dB Min  
 VSWR (“ON” paths):..... 1.8:1 Max  
 Rise/Fall time (10% to 90% RF, 90% to 10% RF):... 40 ns Max  
 On/Off time (50% TTL to 90% RF, 50%TTL to 10% RF):..... 140 ns Max  
 Square Pulse Repetition Rate\*:..... 2MHz Max (or Period ≥ 500ns)  
 (\* faster repetition rate will cause high current draw and may permanently damage the switch control Ckt.)  
 Operating Power:..... CW/AVG ..... +33dbm Max  
 ..... Peak ..... +43dbm @ 1µs-PW & 10% Duty-Cycle Max  
 Control Input Characteristics:..... Std. TTL / Unit-Load / Floating-High  
 Control Logic:..... 3-Controls, Logic “0” = RF Path “ON”  
 Power Supplies:..... +5(±0.25)V @ 160mA Max  
 ..... -15(±0.5)V @ 80mA Max  
 Connectors (RF):..... SMA (f), Removable  
 Connectors (Supplies/Controls) ..... Solder Pins  
 Impedance:..... 50 Ω Nominal  
 Quality:..... Best-Commercial-Grade

**Environmental Ratings:**

Temperature:..... {Operating: -55°C to +95°C} & {Storage: -60°C to +110°C}  
 Humidity:..... MIL-STD-202F, Method 103B, Cond. B (96 hours at 95% R.H.)  
 Shock:..... MIL-STD-202F, Method 213B, Cond. B (75G, 6mSec)  
 Vibration:..... MIL-STD-202F, Method 204D, Cond. B (.06" double amplitude, or 15G)  
 Altitude:..... MIL-STD-202F, Method 105C, Cond. B (50,000 Feet)  
 Temp. Shock:..... MIL-STD-202F, Method 107D, Cond. A (5 cycles)

**Outline**



Weight	Tolerances
1.0 oz [28.3g]	±0.015" [±0.38mm]