



Model: SR-G270-3S

Description:..... SP3T, Absorptive, PIN-Switch
Operating Frequency:..... 0.3 – 20 GHz
Insertion Loss: 2.9 dB Max
Isolation:

0.3 – 10 GHz	10 – 20 GHz
65 dB Min	52 dB Min

VSWR (RF Path “ON” or “OFF”): 1.8:1 Max
Rise/Fall time (10% to 90% RF, 90% to 10% RF): ... 70 ns Max
On/Off time (50% TTL to 90% RF, 50%TTL to 10% RF): 170 ns Max
Operating Power:..... CW&AVG..... +24dBm (+27dbm @ COM Port)
..... Peak: 5W @ 1µS PW Max
Control Input Characteristics: TTL / Unit-Load / Floating-High
Control Logic:..... 3-Controls, Logic “0” = RF Path “ON”
Power Supplies:..... +5(±0.25)V @ 100mA Max
..... -12(±0.5)V @ 60mA Max
Connectors (RF): SMA (f), Removable
Connectors (Supplies/Controls) Solder Pins
Impedance: 50 Ohms Nominal
Quality:..... Best-Commercial-Grade

Environmental Ratings:

Temperature:..... {Operating: -55°C to +95°C} & {Storage: -60°C to +110°C}
Humidity: MIL-STD-202F, Method 103B, Cond. B (96 hours at 95% R.H.)
Shock: MIL-STD-202F, Method 213B, Cond. B (75G, 6mSec)
Vibration: MIL-STD-202F, Method 204D, Cond. B (.06” double amplitude, or 15G)
Altitude: MIL-STD-202F, Method 105C, Cond. B (50,000 Feet)
Temp. Shock: MIL-STD-202F, Method 107D, Cond. A (5 cycles)

Available Options:

(Units with listed options here may be subject to some specification tradeoffs from the standard, consult factory)

■ **Supply Voltages**

- A1 [+5(±0.25)V / -5(±0.25)V] *
- A2 [+5(±0.25)V / -15(±0.5)V]
- A3 [+12(±0.5)V / -12(±0.5)V]
- A4 [+15(±0.5)V / -15(±0.5)V]

■ **RF Connectors**

- B1 [J1 – J3 Ports with SMA(M)]
- B2 [All SMA (M)]
- B3 [COM Port with SMA(M)]

■ **Control Function**

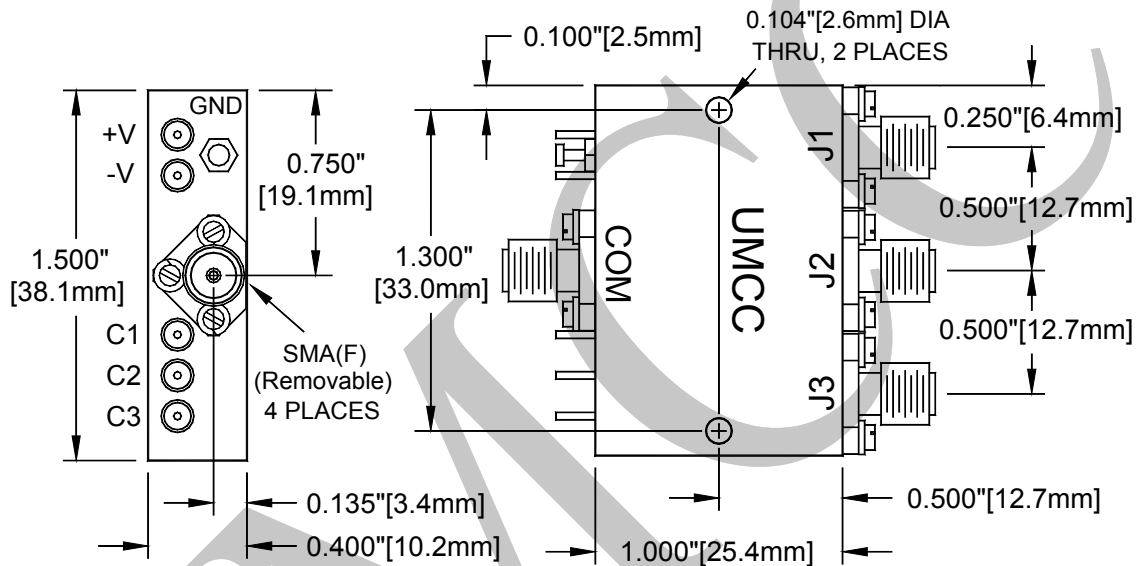
- F1 [Inverse Logic, (“1” = Path “ON”)]
- F2 [Binary Coded Logic, (2 Controls)]

* Recommended for Low Power Consumption <> Additional 50ns Switching Delay (On/Off Time)



Model: SR-G270-3S

Outline



Weight	Tolerances
1.0 oz [28.3g]	±0.015" [±0.38mm]