



Model: SR-V070-2S

Description:	SP2T, Absorptive, PIN-Switch
Operating Frequency:	0.1 - 18 GHz
Insertion Loss:	3.4 dB Max
Isolation:	80 dB Min
VSWR (RF Path "ON" or "OFF"):	1.9:1 Max
Rise/Fall time (10% to 90% RF, 90% to 10% RF):	50ns Max
On/Off time (50% TTL to 90% RF, 50%TTL to 10% RF):	150ns Max
Phase Balance (Deviation from Median):	±5° max
Operating Power:	CW & AVG: +24dBm
	Peak: 5W @ 1µS PW Max
Control Input Characteristics:	TTL / Unit-Load / Floating-High
Control Logic:	2-Controls, Logic "0" = RF Path "ON"
Power Supplies:	+5(±0.25)V @ 85mA Max
	-12(±0.5)V @ 50mA Max
Connectors (RF):	SMA (f), Removable
Connectors (Supplies/Control)	Solder Pins
Impedance:	50 Ohms Nominal
Quality:	Best-Commercial-Grade

Environmental Ratings:

Temperature:	{Operating: -55°C to +95°C} & {Storage: -60°C to +110°C}
Humidity:	MIL-STD-202F, Method 103B, Cond. B (96 hours at 95% R.H.)
Shock:	MIL-STD-202F, Method 213B, Cond. B (75G, 6mSec)
Vibration:	MIL-STD-202F, Method 204D, Cond. B (.06" double amplitude, or 15G)
Altitude:	MIL-STD-202F, Method 105C, Cond. B (50,000 Feet)
Temp. Shock:	MIL-STD-202F, Method 107D, Cond. A (5 cycles)

Available Options:

(Units with listed options here may be subject to some specification tradeoffs from the standard, consult factory)

■ **Supply Voltages**

- A2 [+5(±0.25)V / -15(±0.5)V]
- A3 [+12(±0.5)V / -12(±0.5)V]
- A4 [+15(±0.5)V / -15(±0.5)V]

■ **Control Impedance**

- D1 [50 Ω, Internally Terminated]

■ **Control Function**

- F1 [Inverse Logic, ("1" = Path "ON")]
- F2 [Single Toggle Control ("1" for J1 path "ON")]

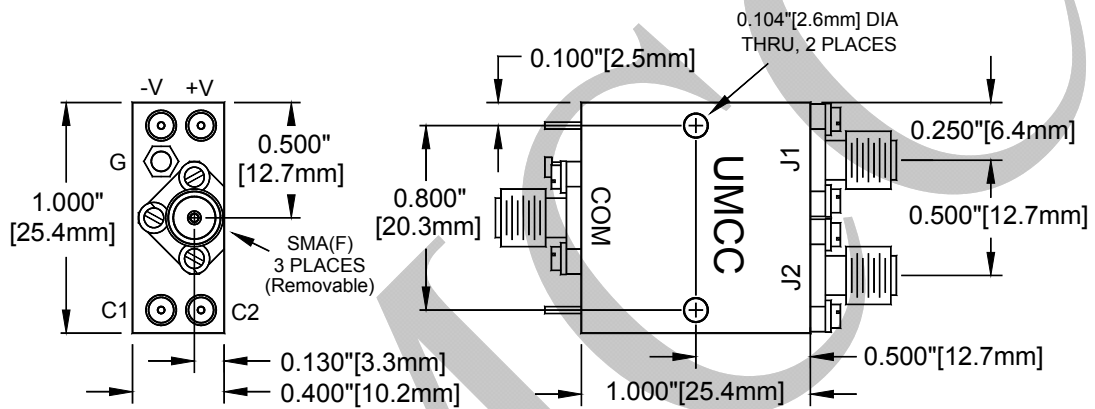
■ **RF Connectors**

- B1 [J1 & J2 Ports with SMA(M)]
- B2 [All SMA (M)]
- B3 [COM Port with SMA(M)]



Model: SR-V070-2S

Outline



Weight	Tolerances
0.7 oz [19.8 g]	±0.015" [±0.38mm]