



Model: SR-S000-2S

Description:	SP2T, Reflective, PIN-Switch
Operating Frequency:	2 - 18 GHz
Insertion Loss:	2.4dB Max
Isolation:	75 dB Min
VSWR (Path "ON"):	1.8:1 Max
Rise/Fall Time (10% to 90% RF, 90% to 10% RF):	25 ns Max
On/Off Time (50% TTL to 90% RF, 50%TTL to 10% RF):	65 ns Max
Phase Balance (Deviation from Median):	±5° max
Operating Power:	CW/AVG +30dbm Max
	Peak 10W @ 1µs-PW Max / 10% Duty-Cycle
Control Input Characteristics:	TTL /Unit-Load, Floating-High
Control Logic:	2-Controls, Logic "0" = RF Path "ON"
Power Supplies:	+5(±0.25) V @ 85mA Max
	-12(±0.5) V @ 50mA Max
Connectors (RF):	SMA (f), Removable
Connectors (Supplies/Controls)	Solder Pins
Impedance:	50 Ohms Nominal
Quality:	Best-Commercial-Grade

Environmental Ratings:

Temperature:	{Operating: -55°C to +95°C} & {Storage: -60°C to +110°C}
Humidity:	MIL-STD-202F, Method 103B, Cond. B (96 hours at 95% R.H.)
Shock:	MIL-STD-202F, Method 213B, Cond. B (75G, 6mSec)
Vibration:	MIL-STD-202F, Method 204D, Cond. B (.06" double amplitude, or 15G)
Altitude:	MIL-STD-202F, Method 105C, Cond. B (50,000 Feet)
Temp. Shock:	MIL-STD-202F, Method 107D, Cond. A (5 cycles)

Available Options:

(Units with listed options here may be subject to some specification tradeoffs from the standard, consult factory)

■ **Supply Voltages**

- A1 [+5(±0.25)V / -5(±0.25)V] *
- A2 [+5(±0.25)V / -15(±0.5)V]

■ **Control Function**

- F1 [Inverse Logic, ("1" = Path "ON")]
- F2 [Single Toggle Control ("1" for J1 path "ON")]

■ **RF Connectors**

- B1 [J1 & J2 Ports with SMA(M)]
- B2 [All SMA (M)]
- B3 [COM Port with SMA(M)]

■ **Video Suppression Filter**

- G1 [VF @ COM Port <> 0.25 dB additional Loss]
- G2 [VF @ J1 & J2 Ports <> 0.25 dB additional Loss]
- G3 [VF @ All Ports <> 0.5 dB additional Loss]

■ **Control Impedance**

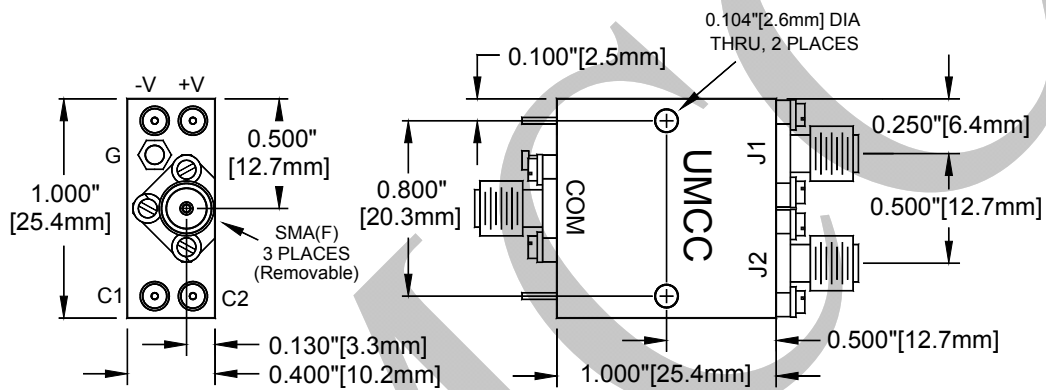
- D1 [50 Ω, Internally Terminated]

* Additional Switching Delay (ON/OFF time)



Model: SR-S000-2S

Outline



Weight	Tolerances
0.7 oz [19.8 g]	±0.015" [±0.38mm]