



Model: SR-G200-2S

Description: SP2T, Reflective, PIN-Switch
Operating Frequency: 0.3 - 20 GHz
Insertion Loss: 2.4dB Max
Isolation:

Table with 2 columns: Frequency Range (0.3 - 10 GHz, 10 - 20 GHz) and Isolation (65 dB Min, 50 dB Min)

VSWR (Path "ON"): 1.7:1 Max
Rise/Fall Time (10% to 90% RF, 90% to 10% RF): 50 ns Max
On/Off Time (50% TTL to 90% RF, 50%TTL to 10% RF): 150 ns Max
Phase Balance (Deviation from Median): ±4° max
Operating Power: CW/AVG +30dbm Max, Peak 10W @ 1µs-PW Max
Control Input Characteristics: TTL /Unit-Load, Floating-High
Control Logic: 2-Controls, Logic "0" = RF Path "ON"
Power Supplies: +5(±0.25) V @ 70mA Max, -12(±0.5) V @ 50mA Max
Connectors (RF): SMA (f), Removable
Connectors (Supplies/Controls): Solder Pins
Impedance: 50 Ohms Nominal
Quality: Best-Commercial-Grade

Environmental Ratings:

Temperature: {Operating: -55°C to +95°C} & {Storage: -60°C to +110°C}
Humidity: MIL-STD-202F, Method 103B, Cond. B (96 hours at 95% R.H.)
Shock: MIL-STD-202F, Method 213B, Cond. B (75G, 6mSec)
Vibration: MIL-STD-202F, Method 204D, Cond. B (.06" double amplitude, or 15G)
Altitude: MIL-STD-202F, Method 105C, Cond. B (50,000 Feet)
Temp. Shock: MIL-STD-202F, Method 107D, Cond. A (5 cycles)

Available Options:

(Units with listed options here may be subject to some specification tradeoffs from the standard, consult factory)

Supply Voltages

- A1 [+5(±0.25)V / -5(±0.25)V] \*
A2 [+5(±0.25)V / -15(±0.5)V]
A3 [+12(±0.5)V / -12(±0.5)V]
A4 [+15(±0.5)V / -15(±0.5)V]

Control Impedance

- D1 [ 50 Ω, Internally Terminated ]

Control Function

- F1 [ Inverse Logic, ("1" = Path "ON") ]
F2 [ Single Toggle Control ("1" for J1 path "ON") ]

RF Connectors

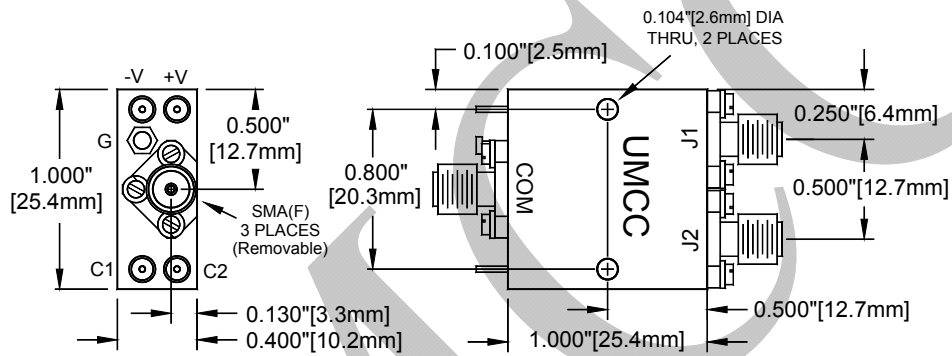
- B1 [ J1 & J2 Ports with SMA(M) ]
B2 [ All SMA (M) ]
B3 [ COM Port with SMA(M) ]

\* Recommended for Low Power Consumption <> Additional Switching Delay (On/Off Time)



Model: SR-G200-2S

**Outline**



Weight	Tolerances
0.7 oz [19.8 g]	±0.015" [±0.38mm]