



Model: SR-D080-2S

Description:	SP2T, Reflective, High Power Pin-Switch
Operating Frequency:	2 – 4 GHz
Insertion Loss:	2.2 – 3.8 GHz 0.6 dB Max
	2 – 4 GHz 0.8 dB Max
Isolation (Arm-to-Arm):	60 dB Min
VSWR (“ON” Paths):	2.2 – 3.8 GHz 1.35:1 Max
	2 – 4 GHz 1.6:1 Max
Rise/Fall time (10% to 90% RF, 90% to 10% RF):	2.2 μ s Max
On/Off time (50% TTL to 90% RF, 50%TTL to 10% RF):	2.4 μ s Max
Power Handling (Matched loads/All Ports):	CW/AVG: 40W Max / Hot Switching
	Peak 250W Peak, 1 μ s PW Max
Control Input Characteristics:	Std. TTL / Unit-Load / Floating-High
Control Logic (Single-Control):	Logic “0” J0-J1 Path “ON”
	Logic “1” J0-J2 Path “ON”
Power Supplies:	+5(\pm 0.25) V @ 125mA Max
	-12(\pm 0.5) V @ 125mA Max
Connectors (RF):	SMA (F), Removable
Connectors (Supplies & Controls)	Solder Pins
Impedance:	50 Ohms Nominal
Quality:	Best-Commercial-Grade

Environmental Ratings:

Temperature:	{Operating: -55°C to +95°C} & {Storage: -60°C to +110°C}
Humidity:	MIL-STD-202F, Method 103B, Cond. B (96 hours at 95% R.H.)
Shock:	MIL-STD-202F, Method 213B, Cond. B (75G, 6mSec)
Vibration:	MIL-STD-202F, Method 204D, Cond. B (.06” double amplitude, or 15G)
Altitude:	MIL-STD-202F, Method 105C, Cond. B (50,000 Feet)
Temp. Shock:	MIL-STD-202F, Method 107D, Cond. A (5 cycles)

Available Options:

(Units with listed options here may be subject to some specification tradeoffs from the standard, consult factory)

■ **RF Connectors**

- B1 [J1 & J2 Ports with SMA(M)]
- B2 [All Ports with SMA(M)]
- B3 [COM (J0) Port with SMA(M)]

■ **Control Impedance**

- D1 [50 Ω , Internally Terminated]

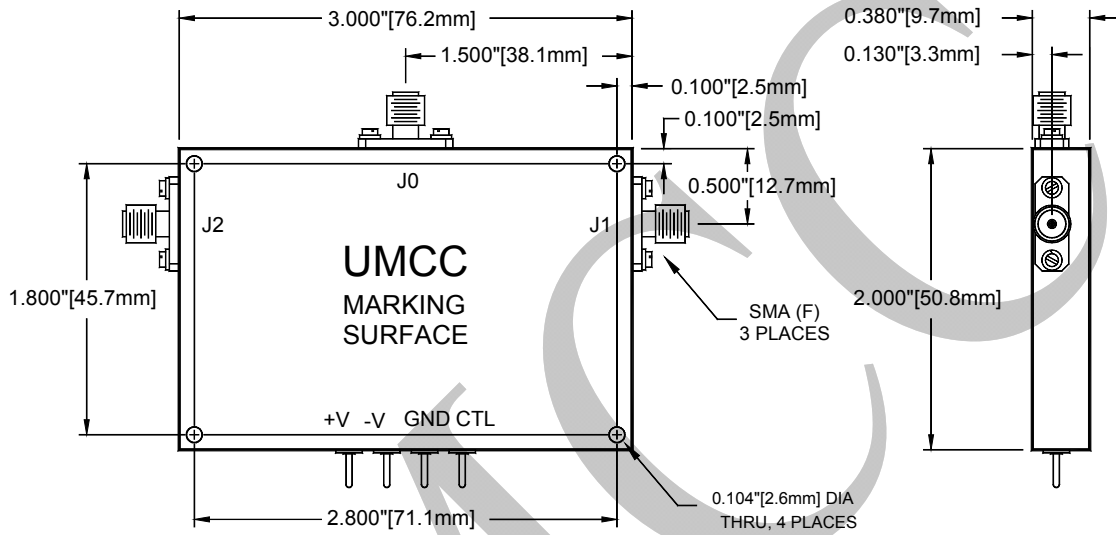
■ **Control Function**

- F1 [Inverse Logic, (“1” = For “J1” Port “ON”)]



Model: SR-D080-2S

Outline



Weight	Tolerances
2.7 oz [76.5 g]	±0.015" [±0.38mm]