



**Model: PD-0500-5N**

Description:..... 5-Way Power Divider  
 Operating Frequency:..... 10-500 MHz  
 Insertion Loss / Amplitude Balance / Phase Balance:

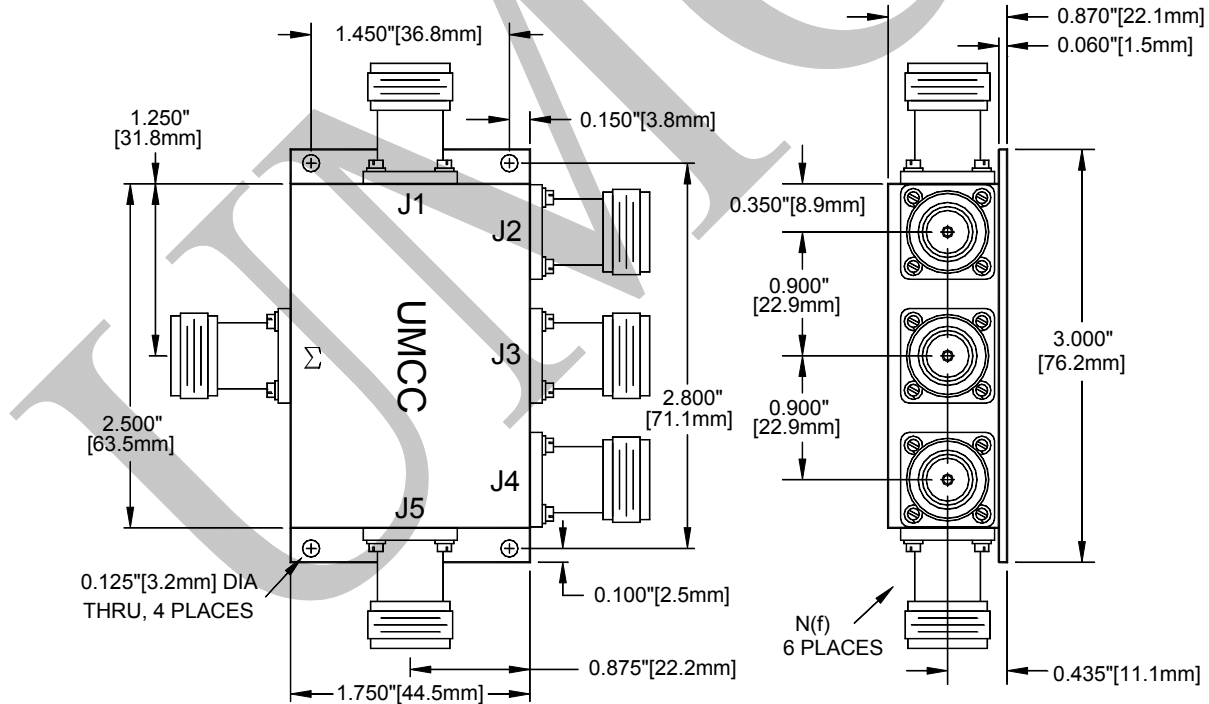
Frequency	Insertion Loss	Ampl. Bal	Phase Bal.
10-250 MHz	0.8 dB Max	±0.15 dB Max	±4° Max
250-500 MHz	1.4 dB Max	±0.35 dB Max	±7° Max

Isolation:..... 20 dB Min  
 VSWR:..... Σ Port..... 1.60:1 Max  
 ..... Outputs..... 1.50:1 Max  
 Power Handling (@ SUM-Port):..... Load VSWR=∞..... 2W AVG/CW Max  
 ..... Load VSWR <2:1..... 8W AVG/CW Max  
 Connectors:..... N (f)  
 Impedance:..... 50 Ohms Nominal  
 Quality:..... Best-Commercial-Grade

**Environmental Ratings:**

Temperature:..... {Operating: -55°C to +95°C} & {Storage: -60°C to +110°C}  
 Humidity:..... MIL-STD-202F, Method 103B, Cond. B (96 hours at 95% R.H.)  
 Shock:..... MIL-STD-202F, Method 213B, Cond. B (75G, 6mSec)  
 Vibration:..... MIL-STD-202F, Method 204D, Cond. B (.06" double amplitude, or 15G)  
 Altitude:..... MIL-STD-202F, Method 105C, Cond. B (50,000 Feet)  
 Temp. Shock:..... MIL-STD-202F, Method 107D, Cond. A (5 cycles)

**Outline**



Weight	Tolerances
	± 0.015" [ ± 0.38 mm ]