



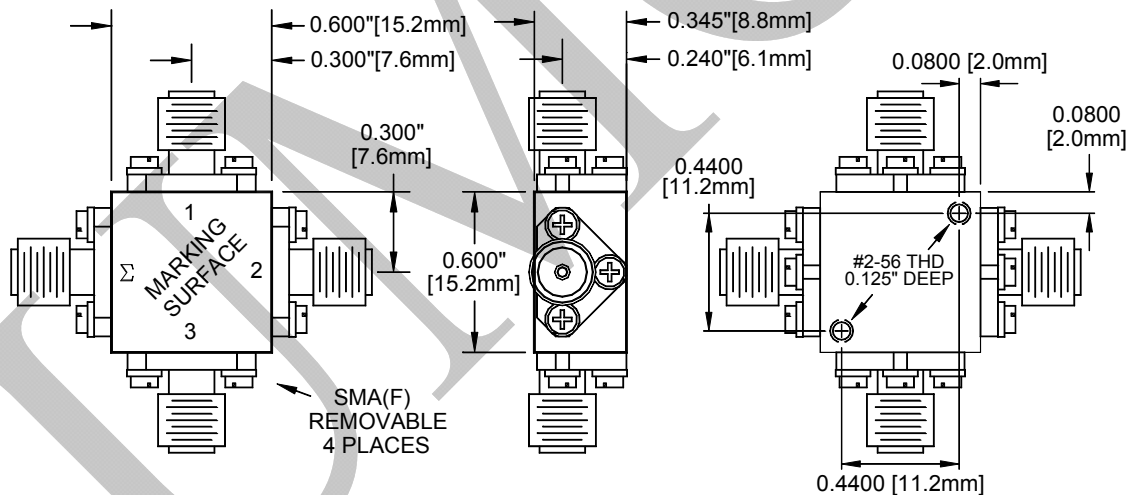
Model: PD-Z000-3S

Description:..... 3-Way Resistive Power Divider
Operating Frequency:..... DC-12 GHz
Insertion Loss: 1.2 dB Max
..... *{Note: Loss due to resistive division is 9.5dB}*
Isolation (Power Splitting):..... 9.5 dB Nominal
VSWR:..... 1.3:1 Max
Amplitude Balance:..... ± 0.3 dB Max
Phase Balance:..... ± 6° Max
Power Handling (@ SUM-Port):..... Load VSWR=∞ 0.5W AVG/CW Max
..... Load VSWR <2:1 1W AVG/CW Max
Connectors:..... SMA (f), Removable
Impedance:..... 50 Ohms Nominal
Quality:..... Best-Commercial-Grade

Environmental Ratings:

Temperature:..... {Operating: -55°C to +95°C} & {Storage: -60°C to +110°C}
Humidity: MIL-STD-202F, Method 103B, Cond. B (96 hours at 95% R.H.)
Shock: MIL-STD-202F, Method 213B, Cond. B (75G, 6mSec)
Vibration: MIL-STD-202F, Method 204D, Cond. B (.06" double amplitude, or 15G)
Altitude: MIL-STD-202F, Method 105C, Cond. B (50,000 Feet)
Temp. Shock: MIL-STD-202F, Method 107D, Cond. A (5 cycles)

Outline



Weight	Tolerances
0.45 oz [12.8 g]	± 0.015" [± 0.38 mm]