



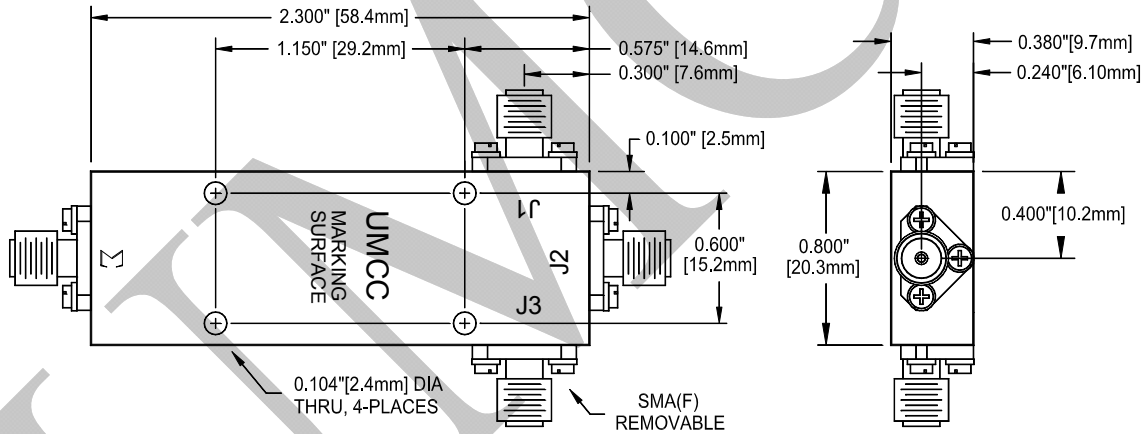
Model: PD-S000-3S

Description:..... 3-Way Power Divider
 Operating Frequency:..... 2-18 GHz
 Insertion Loss:..... 1.8 dB Max
 Isolation:..... 18 dB Min
 VSWR:..... Σ Port..... 1.75:1 Max
 Outputs..... 1.6:1 Max
 Amplitude Balance:..... ± 0.5 dB Max
 Phase Balance:..... $\pm 7^\circ$ Max
 Power Handling (@ SUM Port):..... Load VSWR= ∞ 1W AVG/CW Max
 Load VSWR <2:1..... 10W AVG/CW Max
 Connectors:..... SMA (f), Removable
 Impedance:..... 50 Ohms Nominal
 Quality:..... Best-Commercial-Grade

Environmental Ratings:

Temperature:..... {Operating: -55°C to +95°C} & {Storage: -60°C to +110°C}
 Humidity:..... MIL-STD-202F, Method 103B, Cond. B (96 hours at 95% R.H.)
 Shock:..... MIL-STD-202F, Method 213B, Cond. B (75G, 6mSec)
 Vibration:..... MIL-STD-202F, Method 204D, Cond. B (.06" double amplitude, or 15G)
 Altitude:..... MIL-STD-202F, Method 105C, Cond. B (50,000 Feet)
 Temp. Shock:..... MIL-STD-202F, Method 107D, Cond. A (5 cycles)

Outline



Weight	Tolerances
1.25 oz [35.4 g]	± 0.015 " [± 0.38 mm]