



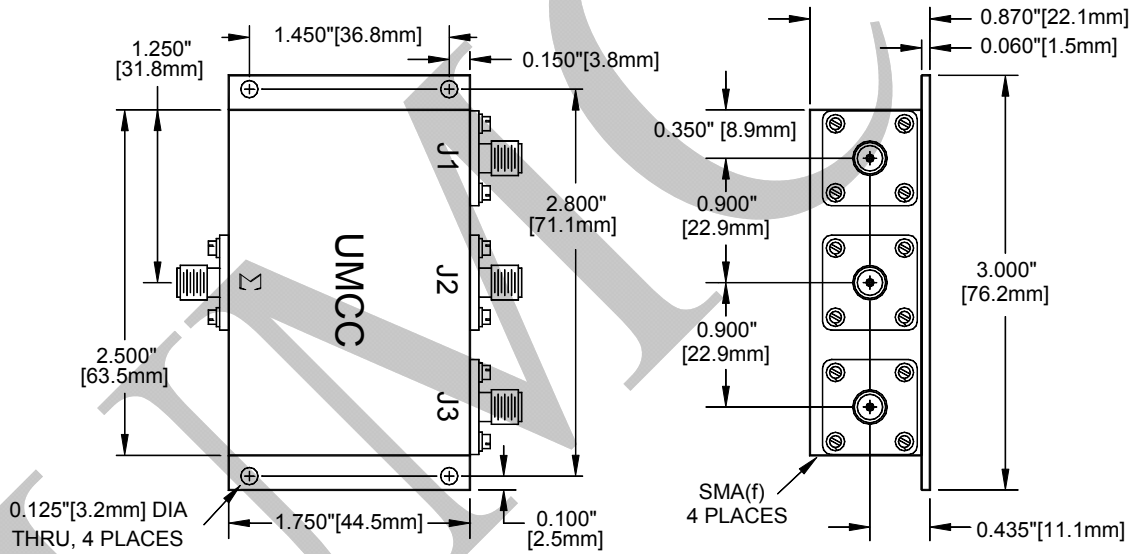
Model: PD-0600-3S

Description: 3-Way Power Divider
 Operating Frequency: 10-600 MHz
 Insertion Loss: 1.0 dB Max
 Isolation: 22 dB Min
 VSWR: 1.35:1 Max (1.45:1 over 10-20MHz)
 Amplitude Balance: ±0.2 dB Max
 Phase Balance: ±2° Max
 Power Handling (@ SUM-Port): Load VSWR=∞ 2W AVG/CW Max
 Load VSWR <2:1 8W AVG/CW Max
 Connectors: SMA (female)
 Impedance: 50 Ω Nominal
 Quality: Best-Commercial-Grade

Environmental Ratings:

Temperature: {Operating: -55°C to +95°C} & {Storage: -60°C to +110°C}
 Humidity: MIL-STD-202F, Method 103B, Cond. B (96 hours at 95% R.H.)
 Shock: MIL-STD-202F, Method 213B, Cond. B (75G, 6mSec)
 Vibration: MIL-STD-202F, Method 204D, Cond. B (.06" double amplitude, or 15G)
 Altitude: MIL-STD-202F, Method 105C, Cond. B (50,000 Feet)
 Temp. Shock: MIL-STD-202F, Method 107D, Cond. A (5 cycles)

Outline



Weight	Tolerances
3.3 oz [93.6 g]	± 0.015" [± 0.38 mm]