



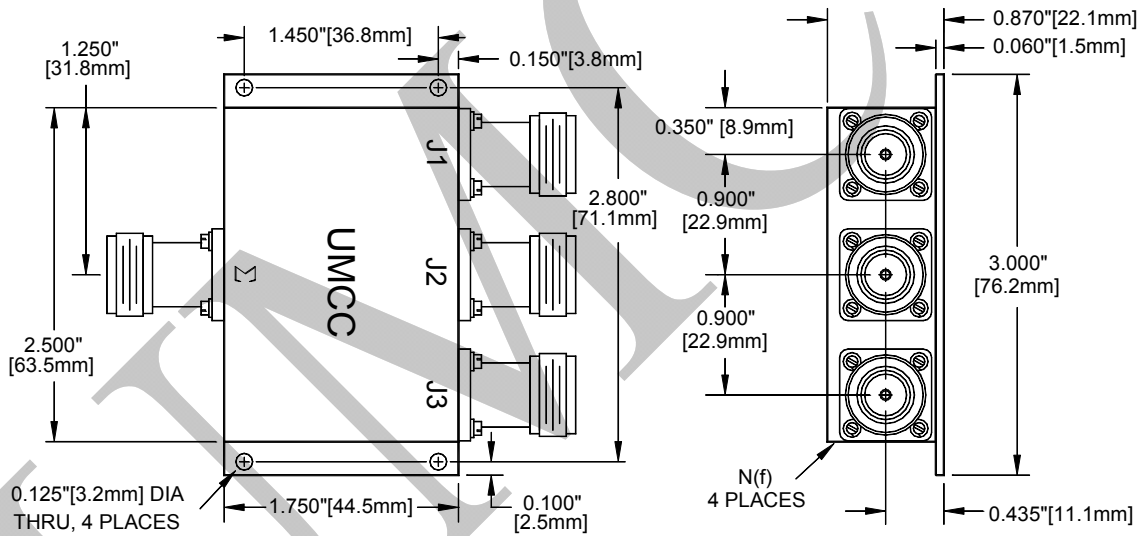
**Model: PD-0600-3N**

Description:..... 3-Way Power Divider  
 Operating Frequency:..... 10-600 MHz  
 Insertion Loss:..... 1.0 dB Max  
 Isolation:..... 22 dB Min  
 VSWR:..... 1.35:1 Max (1.45:1 over 10-20MHz)  
 Amplitude Balance:..... ±0.2 dB Max  
 Phase Balance:..... ±2° Max  
 Power Handling (@ SUM-Port):..... Load VSWR=∞ ..... 2W AVG/CW Max  
 ..... Load VSWR <2:1..... 8W AVG/CW Max  
 Connectors:..... N (female)  
 Impedance:..... 50 Ω Nominal  
 Quality:..... Best-Commercial-Grade

**Environmental Ratings:**

Temperature:..... {Operating: -55°C to +95°C} & {Storage: -60°C to +110°C}  
 Humidity:..... MIL-STD-202F, Method 103B, Cond. B (96 hours at 95% R.H.)  
 Shock:..... MIL-STD-202F, Method 213B, Cond. B (75G, 6mSec)  
 Vibration:..... MIL-STD-202F, Method 204D, Cond. B (.06" double amplitude, or 15G)  
 Altitude:..... MIL-STD-202F, Method 105C, Cond. B (50,000 Feet)  
 Temp. Shock:..... MIL-STD-202F, Method 107D, Cond. A (5 cycles)

**Outline**



Weight	Tolerances
	± 0.015" [ ± 0.38 mm ]