



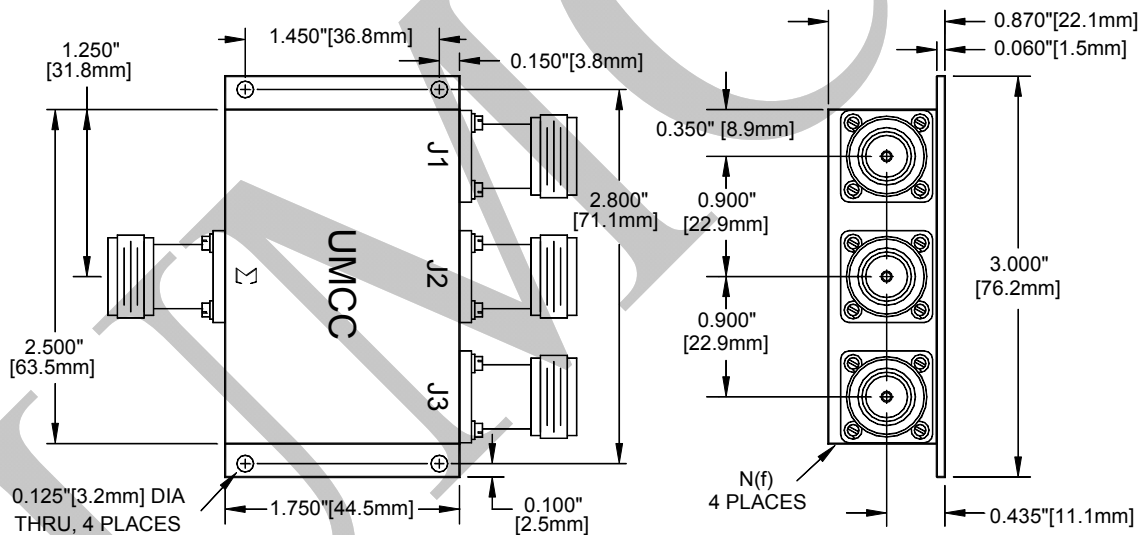
**Model: PD-0010-3N**

Description:..... 3-Way Power Divider  
 Operating Frequency:..... 10 KHz - 10 MHz  
 Insertion Loss: ..... 0.4 dB Max  
 Isolation: ..... 25 dB Min  
 VSWR: .....  $\Sigma$  Port..... 1.30:1 Max  
 ..... Outputs..... 1.30:1 Max  
 Amplitude Balance:.....  $\pm 0.1$  dB Max  
 Phase Balance:.....  $\pm 0.5^\circ$  Max  
 Power Handling (@ SUM-Port): ..... Load VSWR= $\infty$ ..... 3W AVG/CW Max  
 ..... Load VSWR <2:1..... 10W AVG/CW Max  
 Connectors: ..... N (f)  
 Impedance: ..... 50 Ohms Nominal  
 Quality:..... Best-Commercial-Grade

**Environmental Ratings:**

Temperature:..... {Operating: -55°C to +95°C} & {Storage: -60°C to +110°C}  
 Humidity: ..... MIL-STD-202F, Method 103B, Cond. B (96 hours at 95% R.H.)  
 Shock: ..... MIL-STD-202F, Method 213B, Cond. B (75G, 6mSec)  
 Vibration: ..... MIL-STD-202F, Method 204D, Cond. B (.06" double amplitude, or 15G)  
 Altitude: ..... MIL-STD-202F, Method 105C, Cond. B (50,000 Feet)  
 Temp. Shock: ..... MIL-STD-202F, Method 107D, Cond. A (5 cycles)

**Outline**



Weight	Tolerances
	$\pm 0.015''$ [ $\pm 0.38$ mm ]