



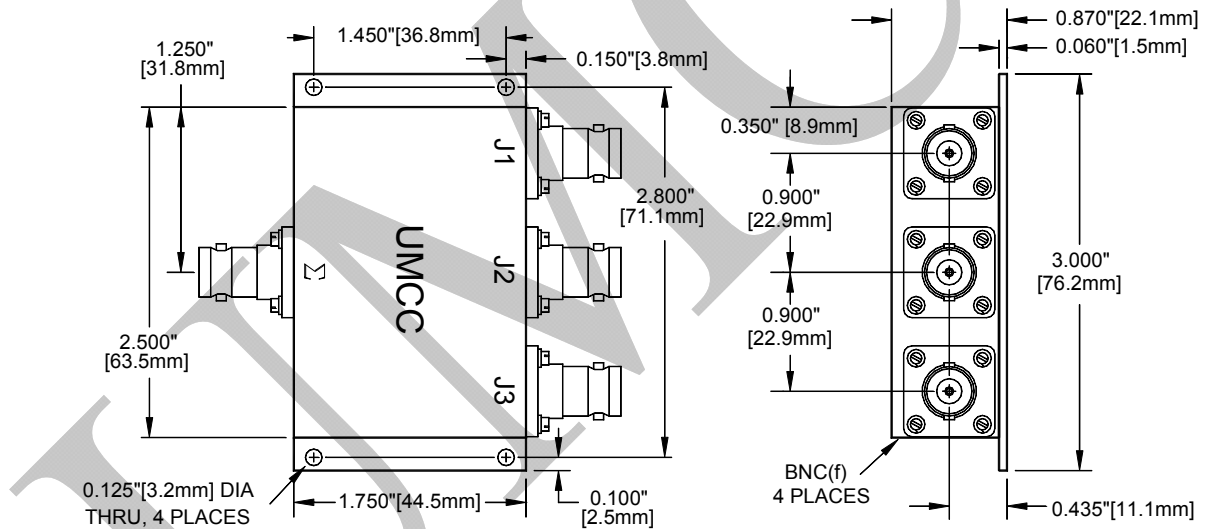
Model: PD-0010-3B

Description:..... 3-Way Power Divider
 Operating Frequency:..... 10 KHz - 10 MHz
 Insertion Loss: 0.4 dB Max
 Isolation: 25 dB Min
 VSWR: Σ Port..... 1.30:1 Max
 Outputs..... 1.30:1 Max
 Amplitude Balance:..... ± 0.1 dB Max
 Phase Balance:..... $\pm 0.5^\circ$ Max
 Power Handling (@ Σ -Port): Load VSWR= ∞ 3W AVG/CW Max
 Load VSWR <2:1..... 10W AVG/CW Max
 Connectors: BNC (f)
 Impedance: 50 Ohms Nominal
 Quality:..... Best-Commercial-Grade

Environmental Ratings:

Temperature:..... {Operating: -55°C to +95°C} & {Storage: -60°C to +110°C}
 Humidity: MIL-STD-202F, Method 103B, Cond. B (96 hours at 95% R.H.)
 Shock: MIL-STD-202F, Method 213B, Cond. B (75G, 6mSec)
 Vibration: MIL-STD-202F, Method 204D, Cond. B (.06" double amplitude, or 15G)
 Altitude: MIL-STD-202F, Method 105C, Cond. B (50,000 Feet)
 Temp. Shock: MIL-STD-202F, Method 107D, Cond. A (5 cycles)

Outline



Weight	Tolerances
	$\pm 0.015''$ [± 0.38 mm]