



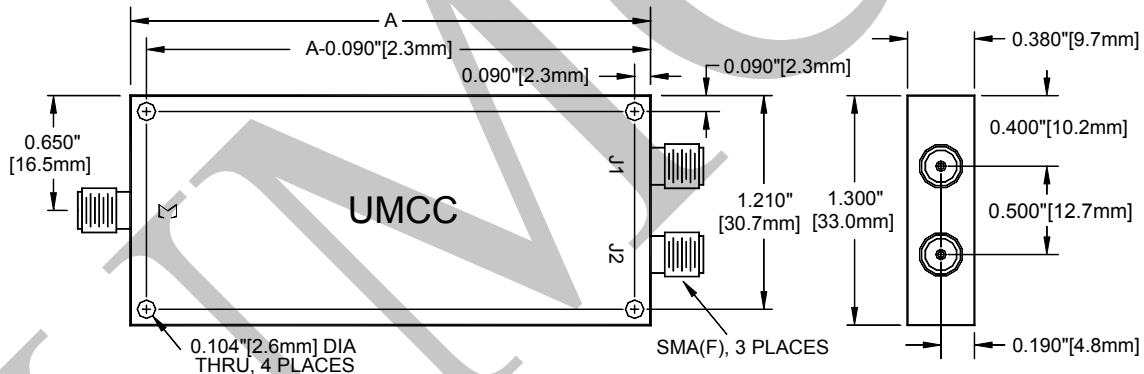
Model: PS-CD00-2S

Description:..... 2-Way Power Divider
 Operating Frequency:..... 1.5 - 3 GHz
 Insertion Loss: 0.3 dB Max
 Isolation: 22 dB Min
 VSWR: Sum Port..... 1.20:1 Max
 Output Ports 1.20:1 Max
 Amplitude Balance:..... ± 0.1 dB Max
 Phase Balance:..... ± 1° Max
 Power Handling (@ SUM-Port): Load VSWR=∞ 2W AVG/CW Max
 Load VSWR <2:1 20W AVG/CW Max
 Impedance: 50 Ohms Nominal
 Quality:..... Best-Commercial-Grade

Environmental Ratings:

Temperature:..... {Operating: -55°C to +95°C} & {Storage: -60°C to +110°C}
 Humidity: MIL-STD-202F, Method 103B, Cond. B (96 hours at 95% R.H.)
 Shock: MIL-STD-202F, Method 213B, Cond. B (75G, 6mSec)
 Vibration: MIL-STD-202F, Method 204D, Cond. B (.06" double amplitude, or 15G)
 Altitude: MIL-STD-202F, Method 105C, Cond. B (50,000 Feet)
 Temp. Shock: MIL-STD-202F, Method 107D, Cond. A (5 cycles)

**Outline
 (A = 3.000" [76.2mm])**



Weight	Tolerances
1.6 oz [45.4 g]	± 0.015" [± 0.38 mm]