



Model: PS-3000-2S

Description:..... 2-Way Power Divider

Operating Frequency:..... 20-3000 MHz

Insertion Loss / Isolation / VSWR / Amplitude Balance / Phase Balance:

Frequency (MHz)	Insertion Loss	Isolation	VSWR (Σ)	VSWR (out)	Ampl. Bal.	Phase Bal.
20-1500	1.2 dB Max	18 dB Min	1.40:1 Max	1.5:1 Max {1.65:1 Over 20-50MHz}	±0.15 dB Max	±1° Max
1500-3000	2.2 dB Max				±0.2 dB Max	±1.5° Max

Power Handling (@ SUM-Port): Matched Loads:..... 8W AVG/CW Max

..... Unmatched Loads: 2W AVG/CW Max

Connectors: SMA (f)

Impedance: 50 Ohms Nominal

Quality:..... Best-Commercial-Grade

Environmental Ratings:

Temperature:..... {Operating: -55°C to +95°C} & {Storage: -60°C to +110°C}

Humidity: MIL-STD-202F, Method 103B, Cond. B (96 hours at 95% R.H.)

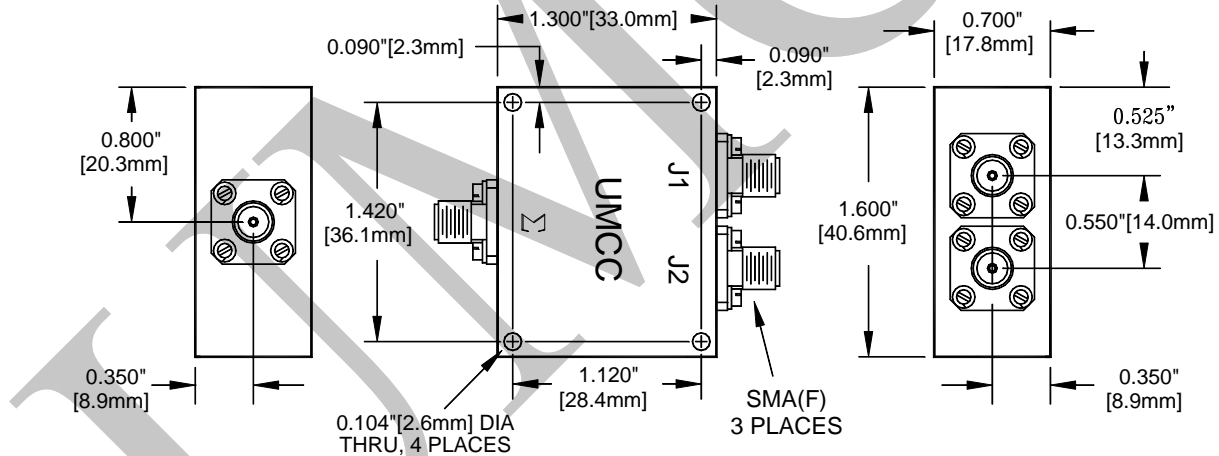
Shock: MIL-STD-202F, Method 213B, Cond. B (75G, 6mSec)

Vibration: MIL-STD-202F, Method 204D, Cond. B (.06" double amplitude, or 15G)

Altitude: MIL-STD-202F, Method 105C, Cond. B (50,000 Feet)

Temp. Shock: MIL-STD-202F, Method 107D, Cond. A (5 cycles)

Outline



Weight
1.5 oz [42.5 g]