



**Model: PD-0020-2S**

Description:..... 2-Way Power Divider  
 Operating Frequency:..... 20 KHz – 20 MHz  
 Insertion Loss:..... 0.3 dB Max  
 Isolation:

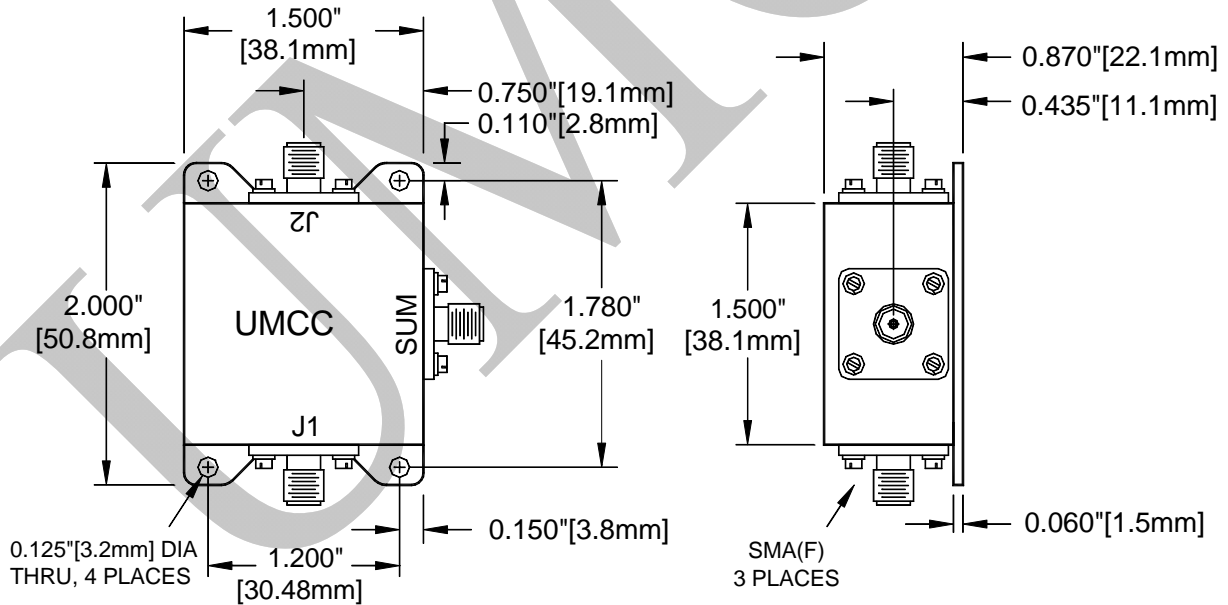
20 KHz - 2 MHz	2 - 5 MHz	5 - 20 MHz
40 dB Min	30 dB Min	23 dB Min

VSWR:..... 1.20:1 Max  
 Amplitude Balance:..... ± 0.05 dB Max  
 Phase Balance:..... ± 0.1° Max  
 Power Handling (@ SUM-Port):..... Matched Loads:..... 15W AVG/CW Max  
 ..... Unmatched Loads:..... 4W AVG/CW Max  
 Connectors:..... SMA (f)  
 Impedance:..... 50 Ohms Nominal  
 Quality:..... Best-Commercial-Grade

**Environmental Ratings:**

Temperature:..... {Operating: -55°C to +95°C} & {Storage: -60°C to +110°C}  
 Humidity:..... MIL-STD-202F, Method 103B, Cond. B (96 hours at 95% R.H.)  
 Shock:..... MIL-STD-202F, Method 213B, Cond. B (75G, 6mSec)  
 Vibration:..... MIL-STD-202F, Method 204D, Cond. B (.06" double amplitude, or 15G)  
 Altitude:..... MIL-STD-202F, Method 105C, Cond. B (50,000 Feet)  
 Temp. Shock:..... MIL-STD-202F, Method 107D, Cond. A (5 cycles)

**Outline**



Weight	Tolerances
2.2 oz [62.4g]	±0.015" [±0.38mm]