



Model: PD-0020-2N

Description:..... 2-Way Power Divider
 Operating Frequency:..... 20 KHz – 20 MHz
 Insertion Loss:..... 0.3 dB Max
 Isolation:

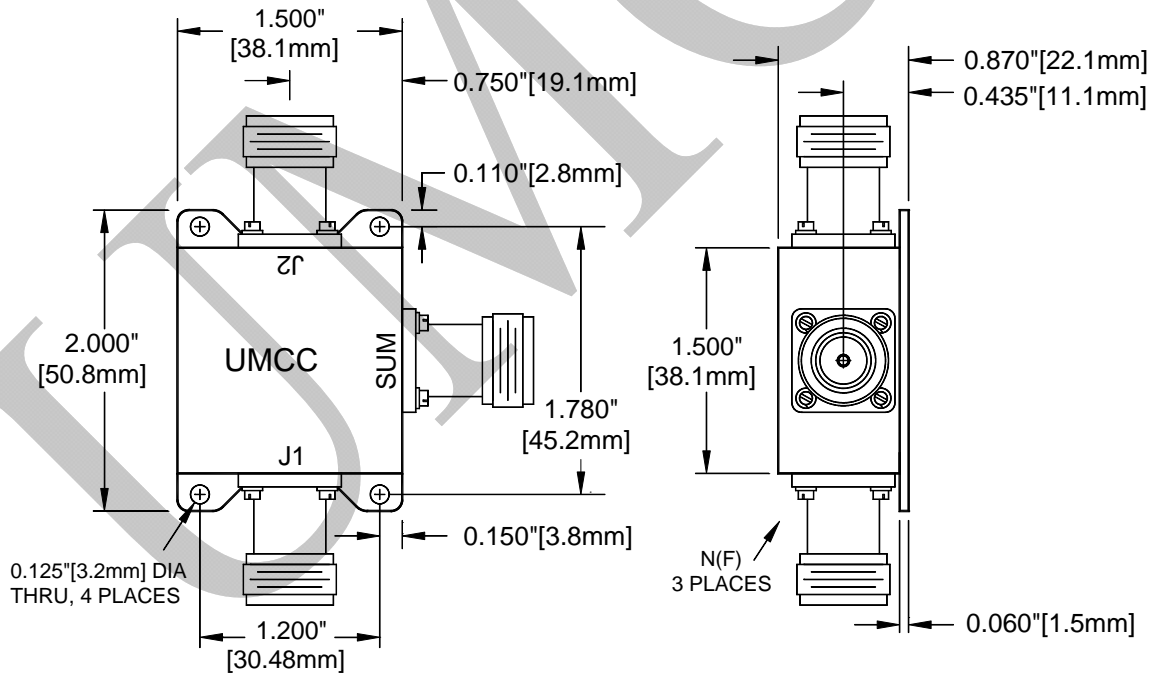
20 KHz - 2 MHz	2 - 5 MHz	5 - 20 MHz
40 dB Min	30 dB Min	23 dB Min

VSWR:..... 1.20:1 Max
 Amplitude Balance:..... ± 0.05 dB Max
 Phase Balance:..... ± 0.1° Max
 Power Handling (@ SUM-Port):..... Matched Loads:..... 15W AVG/CW Max
 Unmatched Loads:..... 4W AVG/CW Max
 Connectors:..... N (f)
 Impedance:..... 50 Ohms Nominal
 Quality:..... Best-Commercial-Grade

Environmental Ratings:

Temperature:..... (Operating: -55°C to +95°C) & {Storage: -60°C to +110°C}
 Humidity:..... MIL-STD-202F, Method 103B Cond. B (96 hours at 95% R.H.)
 Shock:..... MIL-STD-202F, Method 213B, Cond. B (75G, 6mSec)
 Vibration:..... MIL-STD-202F, Method 204D, Cond. B (.06" double amplitude, or 15G)
 Altitude:..... MIL-STD-202F, Method 105C, Cond. B (50,000 Feet)
 Temp. Shock:..... MIL-STD-202F, Method 107D, Cond. A (5 cycles)

Outline



Weight	Tolerances
4.0 oz [113.4g]	±0.015" [±0.38mm]