



**Model: PD-0020-2B**

Description:..... 2-Way Power Divider  
 Operating Frequency:..... 20 KHz – 20 MHz  
 Insertion Loss:..... 0.3 dB Max  
 Isolation:

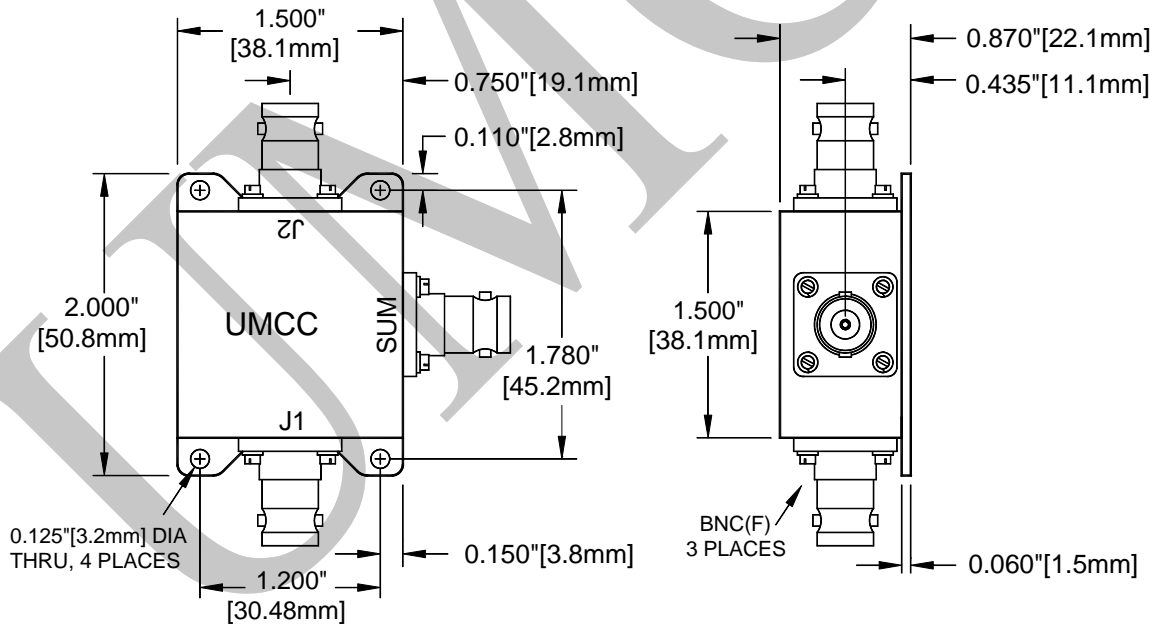
|                |           |            |
|----------------|-----------|------------|
| 20 KHz - 2 MHz | 2 - 5 MHz | 5 - 20 MHz |
| 40 dB Min      | 30 dB Min | 23 dB Min  |

VSWR:..... 1.20:1 Max  
 Amplitude Balance:..... ± 0.05 dB Max  
 Phase Balance:..... ± 0.1° Max  
 Power Handling (@ SUM-Port):..... Matched Loads:..... 15W AVG/CW Max  
 ..... Unmatched Loads:..... 4W AVG/CW Max  
 Connectors:..... BNC (f)  
 Impedance:..... 50 Ohms Nominal  
 Quality:..... Best-Commercial-Grade

**Environmental Ratings:**

Temperature:..... (Operating: -55°C to +95°C) & {Storage: -60°C to +110°C}  
 Humidity:..... MIL-STD-202F, Method 103B, Cond. B (96 hours at 95% R.H.)  
 Shock:..... MIL-STD-202F, Method 213B, Cond. B (75G, 6mSec)  
 Vibration:..... MIL-STD-202F, Method 204D, Cond. B (.06" double amplitude, or 15G)  
 Altitude:..... MIL-STD-202F, Method 105C, Cond. B (50,000 Feet)  
 Temp. Shock:..... MIL-STD-202F, Method 107D, Cond. A (5 cycles)

**Outline**



| Weight         | Tolerances        |
|----------------|-------------------|
| 2.9 oz [82.2g] | ±0.015" [±0.38mm] |