



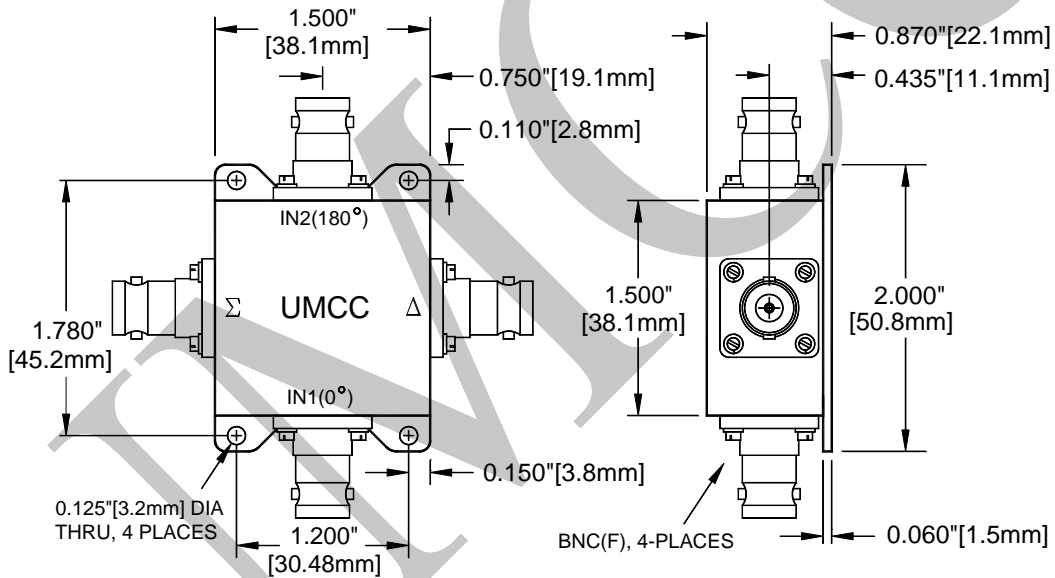
Model: HC-W200-MB

Description:..... 180° / 3dB Hybrid Coupler
 Operating Frequency:..... 1 – 200 MHz
 Insertion Loss: 0.8 dB Max
 Amplitude Balance:..... ± 0.3 dB Max
 Isolation 28 dB Min
 VSWR:..... 1.30:1 Max
 Phase Error:..... ±2° Max
 Power Handling: 4W CW/Peak
 Connectors: BNC (f)
 Impedance: 50 Ohms Nominal
 Quality:..... Best-Commercial-Grade

Environmental Ratings:

Temperature:..... {Operating: -40°C to +85°C} & {Storage: -50°C to +100°C}
 Humidity: MIL-STD-202F, Method 103B, Cond. B (96 hours at 95% R.H.)
 Shock: MIL-STD-202F, Method 213B, Cond. B (75G, 6mSec)
 Vibration: MIL-STD-202F, Method 204D, Cond. B (.06" double amplitude, or 15G)
 Altitude: MIL-STD-202F, Method 105C, Cond. B (50,000 Feet)
 Temp. Shock: MIL-STD-202F, Method 107D, Cond. A (5 cycles)

Outline



Phase / Ampl. Function Table		Signal Output			
		Δ	Σ	0°	180°
Signal Input	Δ	X	Iso.	-3dB∠0°	-3dB∠180°
	Σ	Iso.	X	-3dB∠0°	-3dB∠0°
	0°	-3dB∠0°	-3dB∠0°	X	Iso.
	180°	-3dB∠180°	-3dB∠0°	Iso.	X