



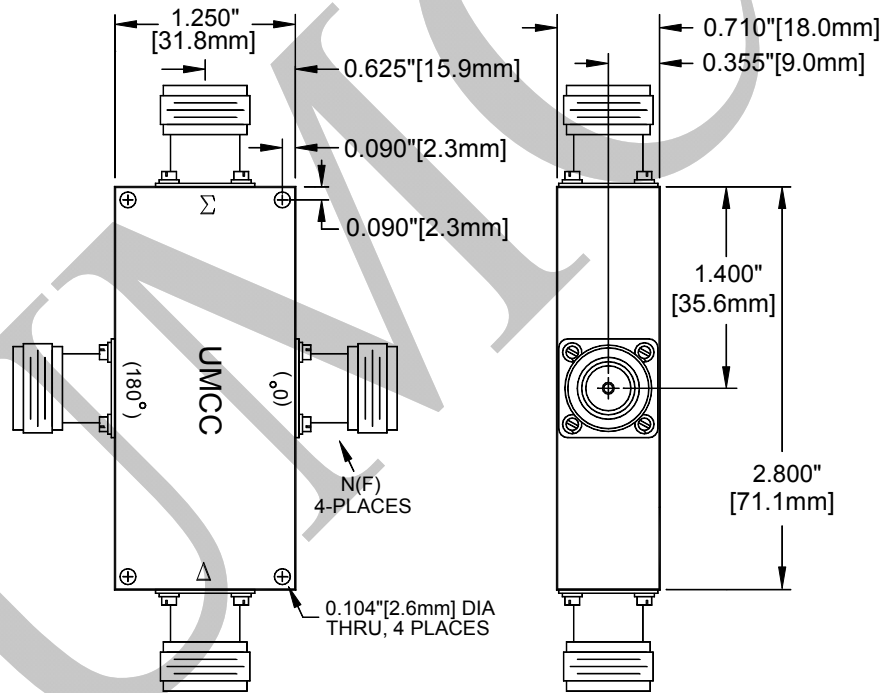
Model: HC-2500-MN

Description:..... 180° / 3dB Hybrid Coupler
 Operating Frequency:..... 50 – 2500 MHz
 Insertion Loss (not including the 3dB for division):..... 4.2 dB Max
 Amplitude Balance:..... ± 2 dB Max
 Isolation 0°/180° Ports 22 dB Min
 Sum/Diff Ports 22 dB Min
 VSWR (SUM, 0°, and 180° Ports):..... 2:1 Max
 VSWR (Diff Port):..... 2.1:1 Max
 Phase Error (in reference to the median line): ±10° Max (or 20° Peak-to-Peak)
 Power Handling: 4W CW/Peak
 Connectors: N (f)
 Impedance:..... 50 Ohms Nominal
 Quality:..... Best-Commercial-Grade

Environmental Ratings:

Temperature:..... {Operating: -40°C to +85°C} & {Storage: -50°C to +100°C}
 Humidity: MIL-STD-202F, Method 103B, Cond. B (96 hours at 95% R.H.)
 Shock: MIL-STD-202F, Method 213B, Cond. B (75G, 6mSec)
 Vibration: MIL-STD-202F, Method 204D, Cond. B (.06" double amplitude, or 15G)
 Altitude: MIL-STD-202F, Method 105C, Cond. B (50,000 Feet)
 Temp. Shock: MIL-STD-202F, Method 107D, Cond. A (5 cycles)

Outline



Phase / Ampl. Function Table		Signal Output			
		Δ	Σ	0°	180°
Signal Input	Δ	X	Iso.	-3dB∠0°	-3dB∠180°
	Σ	Iso.	X	-3dB∠0°	-3dB∠0°
	0°	-3dB∠0°	-3dB∠0°	X	Iso.
	180°	-3dB∠180°	-3dB∠0°	Iso.	X

- Specifications are subject to change without notice