



**Model: DC-R000-6S**

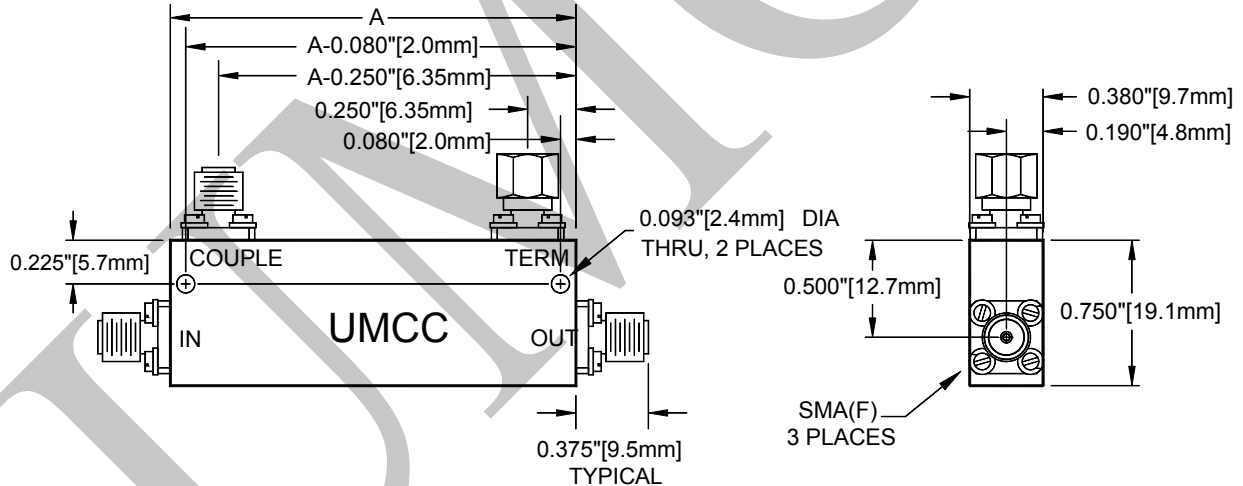
Description: ..... Directional Coupler  
 Operating Frequency: ..... 1-12 GHz  
 Coupling (reference to input): .....  $6 \pm 0.75$  dB Nominal  
 Coupling Flatness: .....  $\pm 0.75$  dB Max  
 Insertion Loss (including coupled power): ..... 2.0 dB Max  
 Directivity: ..... 16 dB Min  
 VSWR: ..... Line ..... 1.35:1 Max  
 ..... Couple ..... 1.35:1 Max  
 Power Handling: ..... Incident @ Input ..... 40W Cw/Avg Max  
 ..... Incident @ Output ..... 4W Cw/Avg Max  
 Connectors: ..... SMA (f)  
 Impedance: ..... 50  $\Omega$  Nominal  
 Quality: ..... Best-Commercial-Grade

**Environmental Ratings:**

Temperature: ..... {Operating: -40°C to +85°C} & {Storage: -50°C to +100°C}  
 Humidity: ..... MIL-STD-202F, Method 103B, Cond. B (96 hours at 95% R.H.)  
 Shock: ..... MIL-STD-202F, Method 213B, Cond. B (75G, 6mSec)  
 Vibration: ..... MIL-STD-202F, Method 204D, Cond. B (.06" double amplitude, or 15G)  
 Altitude: ..... MIL-STD-202F, Method 105C, Cond. B (50,000 Feet)  
 Temp. Shock: ..... MIL-STD-202F, Method 107D, Cond. A (5 cycles)

**Outline**

("A" = 3.350" [85.1mm])



Weight	Tolerances
2.0 oz [ 56.7 g ]	$\pm 0.015"$ [ $\pm 0.38$ mm ]