



**Model: DC-R000-20S**

Description: ..... Directional Coupler  
 Operating Frequency: ..... 1-12 GHz  
 Coupling (reference to input): ..... 20 ± 1 dB Nominal  
 Coupling Flatness: ..... ± 0.75 dB Max  
 Insertion Loss (including coupled power): ..... 0.70 dB Max  
 Directivity:

1 – 8 GHz	8 – 12 GHz
16 dB Min	13 dB Min

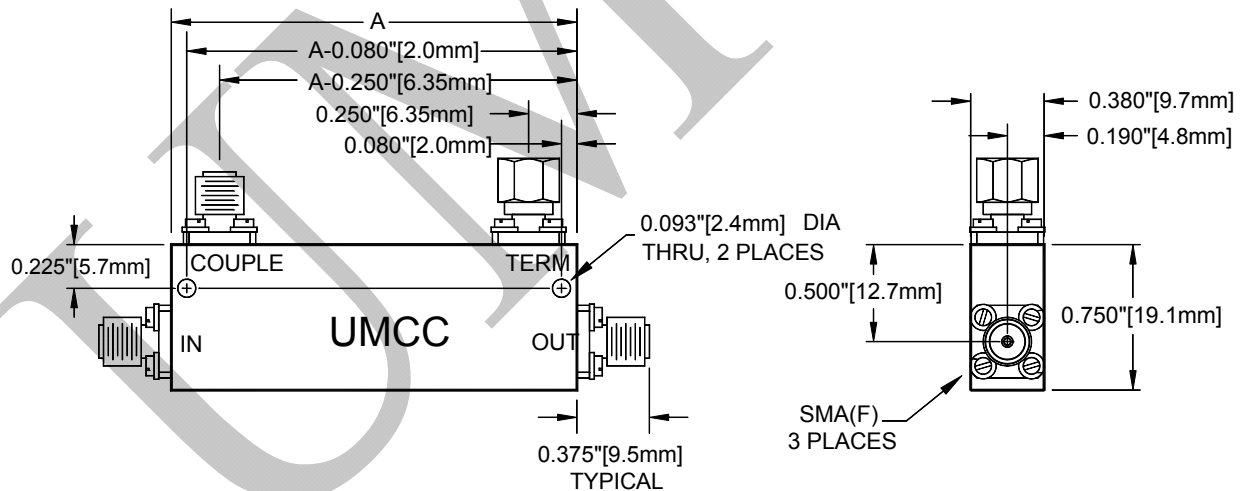
VSWR: ..... Line ..... 1.35:1 Max  
 ..... Couple ..... 1.35:1 Max  
 Power Handling: ..... Incident @ Input ..... 50W Cw/Avg Max  
 ..... Incident @ Output ..... 50W Cw/Avg Max  
 Connectors: ..... SMA (f)  
 Impedance: ..... 50 Ω Nominal  
 Quality: ..... Best-Commercial-Grade

**Environmental Ratings:**

Temperature: ..... {Operating: -40°C to +85°C} & {Storage: -50°C to +100°C}  
 Humidity: ..... MIL-STD-202F, Method 103B, Cond. B (96 hours at 95% R.H.)  
 Shock: ..... MIL-STD-202F, Method 213B, Cond. B (75G, 6mSec)  
 Vibration: ..... MIL-STD-202F, Method 204D, Cond. B (.06" double amplitude, or 15G)  
 Altitude: ..... MIL-STD-202F, Method 105C, Cond. B (50,000 Feet)  
 Temp. Shock: ..... MIL-STD-202F, Method 107D, Cond. A (5 cycles)

**Outline**

("A" = 3.350" [85.1mm])



Weight	Tolerances
0.2 oz [56.7 g]	±0.015" [±0.38mm]