



**Model: DC-0500-30N**

Description: ..... Directional Coupler  
 Operating Frequency:..... 1-500 MHz  
 Coupling (reference to input):..... 30 ± 1.5 dB Nominal  
 Coupling Flatness: ..... ± 0.9 dB Max  
 Insertion Loss (including coupled power): ..... 0.8 dB Max

VSWR:

1-2 MHz	2-500 MHz
1.5:1 Max	1.35:1 Max

Directivity:

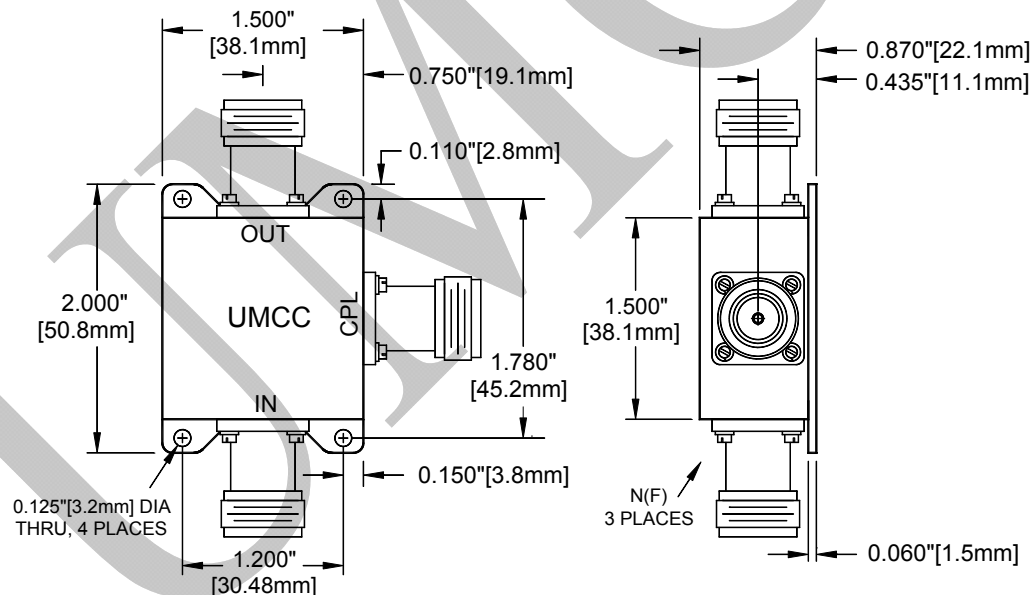
1-100 MHz	100-500 MHz
25 dB Min	20 dB Min

Power Handling: ..... 2W CW / Peak  
 Connectors: ..... N (f)  
 Impedance: ..... 50Ω Nominal  
 Quality: ..... Best-Commercial-Grade

**Environmental Ratings:**

Temperature: ..... {Operating: -40°C to +85°C} & {Storage: -50°C to +100°C}  
 Humidity: ..... MIL-STD-202F, Method 103B, Cond. B (96 hours at 95% R.H.)  
 Shock: ..... MIL-STD-202F, Method 213B, Cond. B (75G, 6mSec)  
 Vibration: ..... MIL-STD-202F, Method 204D, Cond. B (.06" double amplitude, or 15G)  
 Altitude: ..... MIL-STD-202F, Method 105C, Cond. B (50,000 Feet)  
 Temp. Shock: ..... MIL-STD-202F, Method 107D, Cond. A (5 cycles)

**Outline**



Weight	Tolerances
3.7 oz [ 105 g]	±0.015" [±0.38mm]