



Model: DC-0500-20B

Description: Directional Coupler
 Operating Frequency:..... 1-500 MHz
 Coupling (reference to input):..... 20 ± 1 dB Nominal
 Coupling Flatness: ± 0.9 dB Max
 Insertion Loss (including coupled power): 0.8 dB Max

VSWR:

1-2 MHz	2-500 MHz
1.5:1 Max	1.35:1 Max

Directivity:

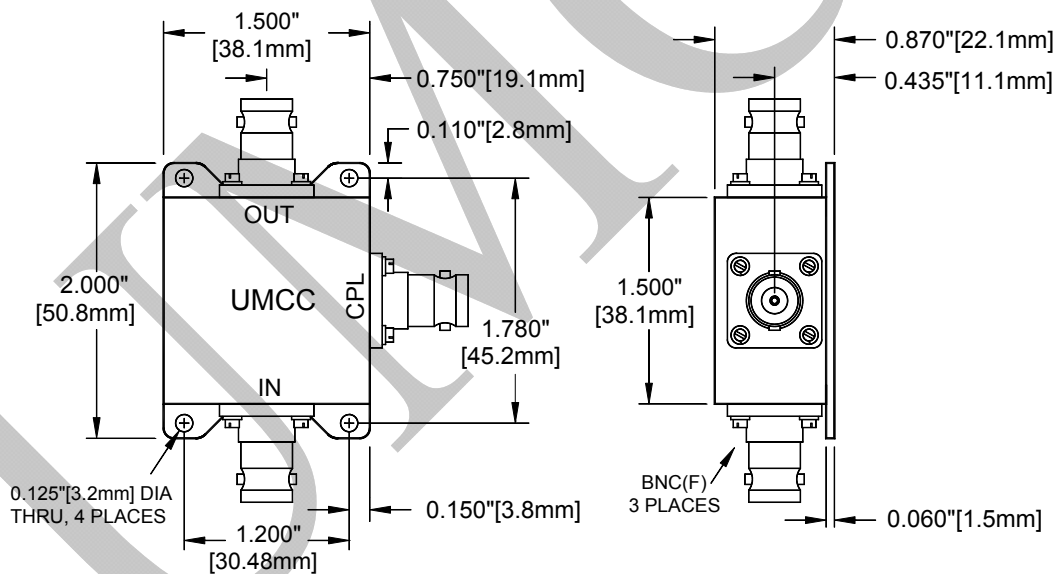
1-100 MHz	100-500 MHz
25 dB Max	20 dB Max

Power Handling: 2W CW / Peak
 Connectors: BNC (f)
 Impedance: 50Ω Nominal
 Quality: Best-Commercial-Grade

Environmental Ratings:

Temperature: {Operating: -40°C to +85°C} & {Storage: -50°C to +100°C}
 Humidity: MIL-STD-202F, Method 103B, Cond. B (96 hours at 95% R.H.)
 Shock: MIL-STD-202F, Method 213B, Cond. B (75G, 6mSec)
 Vibration: MIL-STD-202F, Method 204D, Cond. B (.06" double amplitude, or 15G)
 Altitude: MIL-STD-202F, Method 105C, Cond. B (50,000 Feet)
 Temp. Shock: MIL-STD-202F, Method 107D, Cond. A (5 cycles)

Outline



Weight	Tolerances
2.80 oz [79.4 g]	±0.015" [±0.38mm]