



Model: BC-100A-30B

Description:..... 30dB Bi-Directional-Coupler
 Operating Frequency:..... 2 - 1000 MHz
 Coupling (reference to input):..... 30 ± 1.5 dB Nominal
 Coupling Flatness:..... ± 1.2 dB Max
 Insertion Loss (including coupled power):

20 - 500 MHz	500 - 1000 MHz
1.0 dB Max	1.6 dB Max

VSWR:

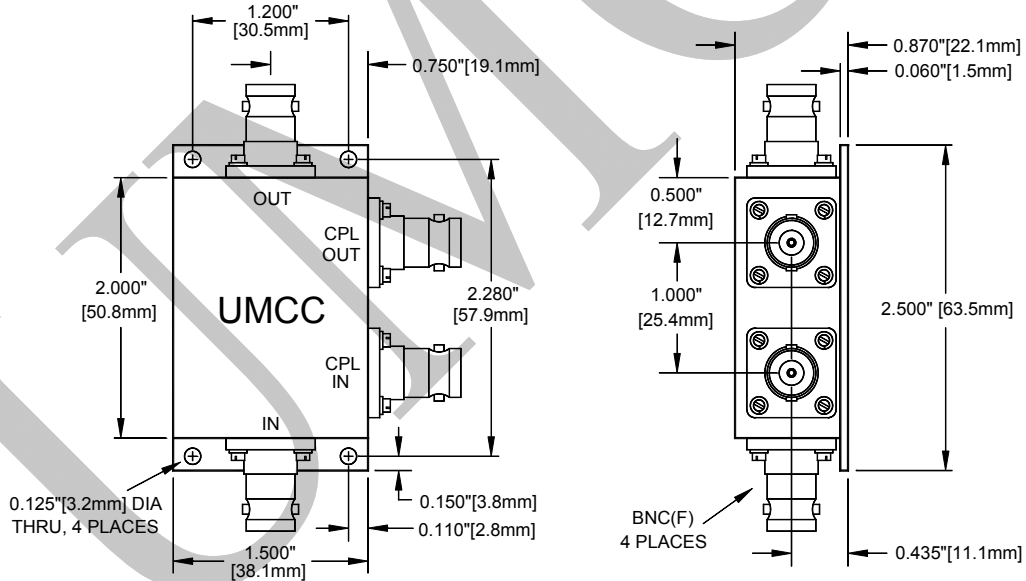
20 – 30 MHz	30 - 1000 MHz
1.6:1 Max	1.4:1 Max

Directivity: 18 dB Min
 Power Handling: 2W CW / Peak
 Connectors: BNC (f)
 Impedance: 50 Ohms Nominal
 Quality:..... Best-Commercial-Grade

Environmental Ratings:

Temperature:..... {Operating: -40°C to +85°C} & {Storage: -50°C to +100°C}
 Humidity: MIL-STD-202F, Method 103B, Cond. B (96 hours at 95% R.H.)
 Shock: MIL-STD-202F, Method 213B, Cond. B (75G, 6mSec)
 Vibration: MIL-STD-202F, Method 204D, Cond. B (.06" double amplitude, or 15G)
 Altitude: MIL-STD-202F, Method 105C, Cond. B (50,000 Feet)
 Temp. Shock: MIL-STD-202F, Method 107D, Cond. A (5 cycles)

Outline



Weight
3.7 oz [104.9 g]