



Model: BC-050S-11S

Description: 11 dB Bi-Directional-Coupler
 Operating Frequency:..... 1 - 500 MHz
 Coupling (reference to input):..... 11 ± 1 dB Nominal
 Coupling Flatness: ± 0.7 dB Max
 Insertion Loss (including coupled power):

1 - 100 MHz	100 - 500 MHz
2.5 dB Max	3.2 dB Max

VSWR:

1 - 2 MHz	2 - 500 MHz
1.55:1 Max	1.40:1 Max

Directivity:

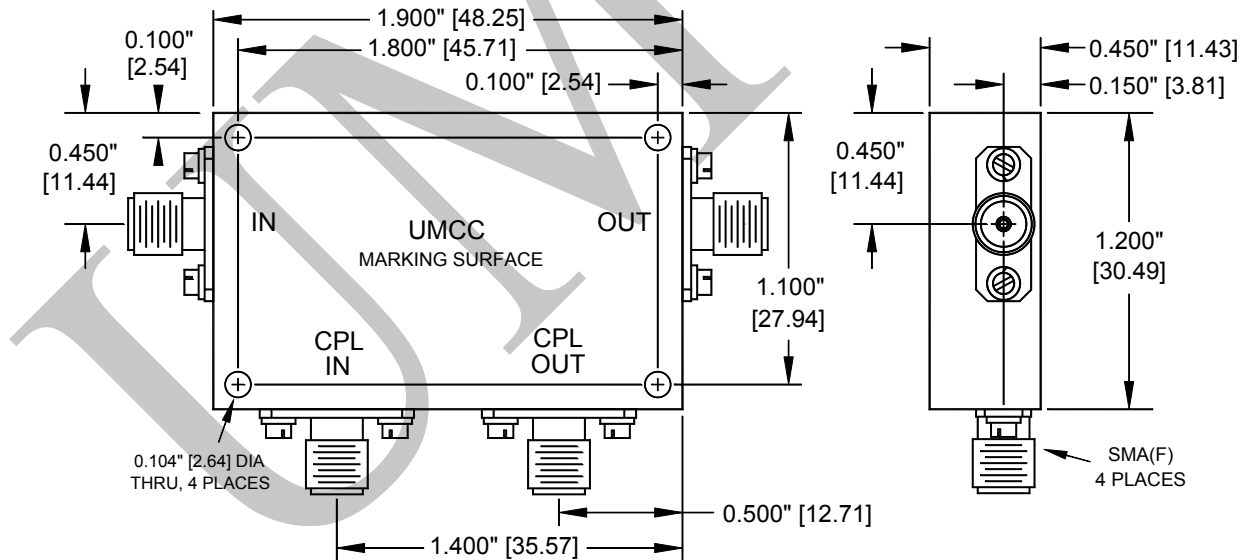
1 - 100 MHz	100 - 500 MHz
25 dB Min	20 dB Min

Power Handling: 1W CW / Peak
 Connectors: SMA (f)
 Impedance: 50 Ω Nominal
 Quality: Best-Commercial-Grade

Environmental Ratings:

Temperature: {Operating: -40°C to +85°C} & {Storage: -50°C to +100°C}
 Humidity: MIL-STD-202F, Method 103B, Cond. B (96 hours at 95% R.H.)
 Shock: MIL-STD-202F, Method 213B, Cond. B (75G, 6mSec)
 Vibration: MIL-STD-202F, Method 204D, Cond. B (.06" double amplitude, or 15G)
 Altitude: MIL-STD-202F, Method 105C, Cond. B (50,000 Feet)
 Temp. Shock: MIL-STD-202F, Method 107D, Cond. A (5 cycles)

Outline



Weight
2.0 oz [57 g]