



Model: BC-050A-30B

Description: 30 dB Bi-Directional-Coupler
 Operating Frequency:..... 1 - 500 MHz
 Coupling (reference to input):..... 30 ± 1 dB Nominal
 Coupling Flatness: ± 0.7 dB Max
 Insertion Loss (including coupled power): 1.6 dB Max

VSWR:

1 - 2 MHz	2 - 500 MHz
1.50:1 Max	1.35:1 Max

Directivity:

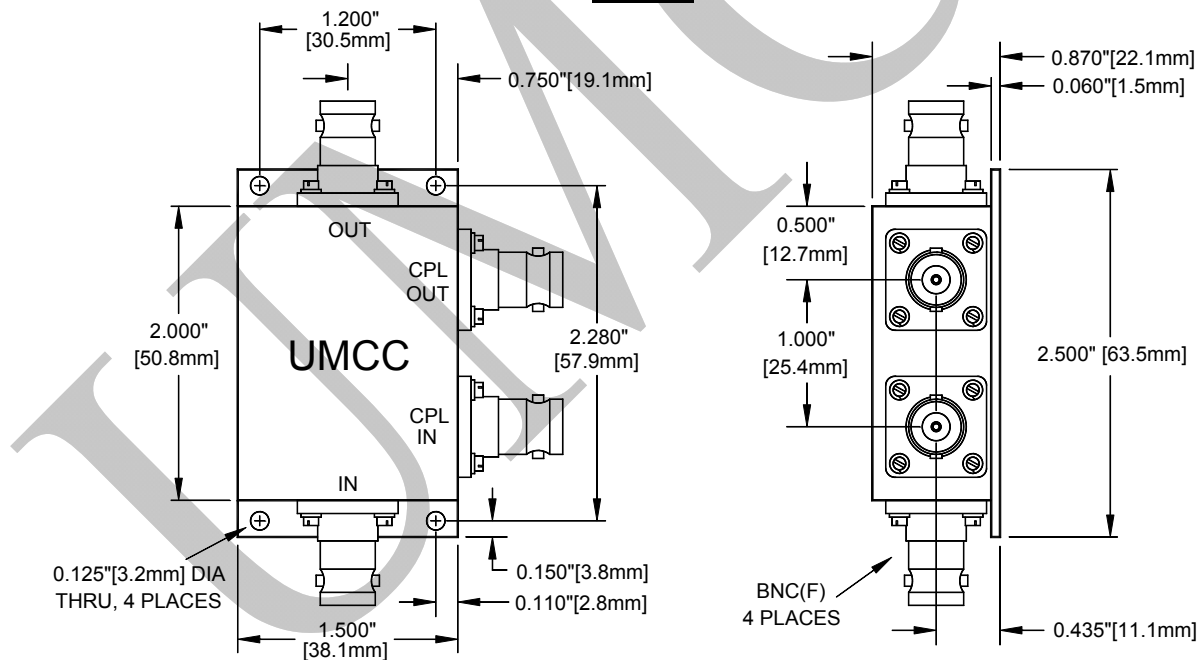
1 - 100 MHz	100 - 500 MHz
25 dB Min	19 dB Min

Power Handling: 2W CW / Peak
 Connectors:..... BNC (f)
 Impedance: 50 Ω Nominal
 Quality: Best-Commercial-Grade

Environmental Ratings:

Temperature: {Operating: -40°C to +85°C} & {Storage: -50°C to +100°C}
 Humidity:..... MIL-STD-202F, Method 103B, Cond. B (96 hours at 95% R.H.)
 Shock:..... MIL-STD-202F, Method 213B, Cond. B (75G, 6mSec)
 Vibration:..... MIL-STD-202F, Method 204D, Cond. B (.06" double amplitude, or 15G)
 Altitude:..... MIL-STD-202F, Method 105C, Cond. B (50,000 Feet)
 Temp. Shock:..... MIL-STD-202F, Method 107D, Cond. A (5 cycles)

Outline



Weight
3.7 oz [104.9 g]