



**Model: BC-0060-10B**

Description:..... 10dB Bi-Directional Coupler  
 Operating Frequency:..... 20 KHz - 60 MHz  
 Coupling (reference to input):..... 10 ± 0.3 dB Nominal  
 Coupling Flatness:..... ± 0.25 dB Max  
 Insertion Loss (including coupled power):..... 1.5 dB Max

VSWR:

20 - 50 KHz	50 KHz - 60 MHz
1.5:1 Max	1.25:1 Max

Directivity:

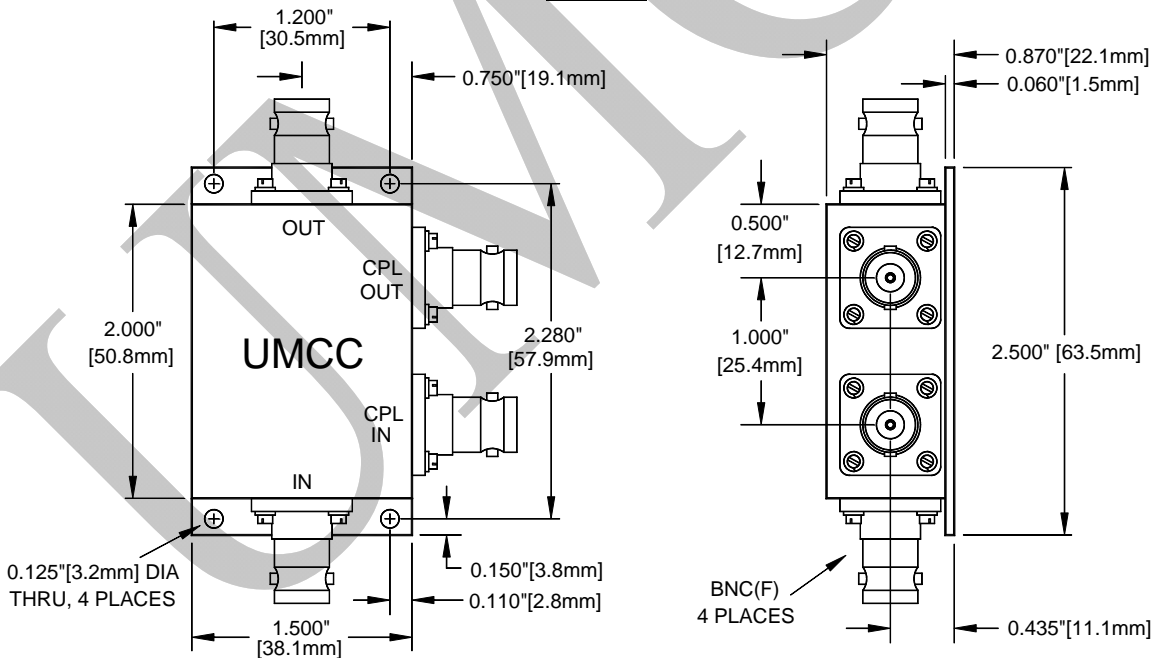
20 KHz - 20 MHz	20 - 60 MHz
22 dB Min	15 dB Min

Power Handling: ..... 1W CW / Peak  
 Connectors: ..... BNC (f)  
 Impedance: ..... 50 Ohms Nominal  
 Quality: ..... Best-Commercial-Grade

**Environmental Ratings:**

Temperature:..... {Operating: -40°C to +85°C} & {Storage: -50°C to +100°C}  
 Humidity: ..... MIL-STD-202F, Method 103B, Cond. B (96 hours at 95% R.H.)  
 Shock: ..... MIL-STD-202F, Method 213B, Cond. B (75G, 6mSec)  
 Vibration: ..... MIL-STD-202F, Method 204D, Cond. B (.06" double amplitude, or 15G)  
 Altitude: ..... MIL-STD-202F, Method 105C, Cond. B (50,000 Feet)  
 Temp. Shock: ..... MIL-STD-202F, Method 107D, Cond. A (5 cycles)

**Outline**



<b>Weight</b>
3.7 oz [ 104.9 g]