



Model: BC-003A-20B

Description:..... 20dB Bi-Directional-Coupler
 Operating Frequency:..... 10 KHz - 30 MHz
 Coupling (reference to input):..... 20 ± 1 dB Nominal
 Coupling Flatness:..... ± 0.5 dB Max
 Insertion Loss (including coupled power):

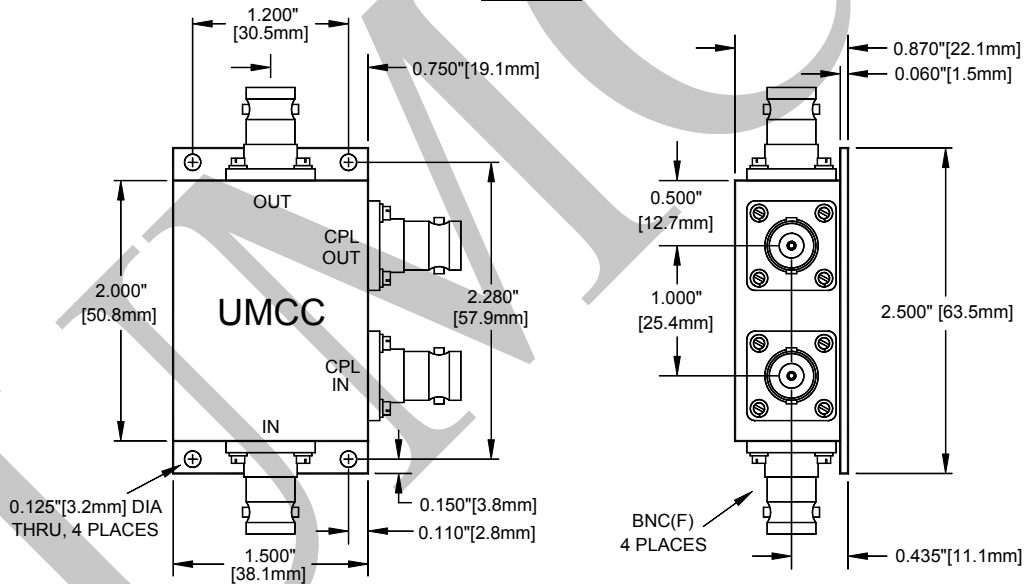
10 KHz-1 MHz	1 - 30 MHz
2.0 dB Max	2.5 dB Max

VSWR:..... Line..... 1.15:1 Max
 Couple..... 1.15:1 Max
 Directivity:..... 20 dB Min
 Power Handling:..... 2W CW / Peak
 Connectors:..... BNC (f)
 Impedance:..... 50 Ohms Nominal
 Quality:..... Best-Commercial-Grade

Environmental Ratings:

Temperature:..... {Operating: -40°C to +85°C} & {Storage: -50°C to +100°C}
 Humidity:..... MIL-STD-202F, Method 103B, Cond. B (96 hours at 95% R.H.)
 Shock:..... MIL-STD-202F, Method 213B, Cond. B (75G, 6mSec)
 Vibration:..... MIL-STD-202F, Method 204D, Cond. B (.06" double amplitude, or 15G)
 Altitude:..... MIL-STD-202F, Method 105C, Cond. B (50,000 Feet)
 Temp. Shock:..... MIL-STD-202F, Method 107D, Cond. A (5 cycles)

Outline



Weight
3.7 oz [104.9 g]