



Model: AT-6000-30D

Description:	Digital Controlled PIN Attenuator
Operating Frequency:	0.6 – 6 GHz
Insertion Loss (0dB Attn. Ref.):	2.0 dB Max
Attenuation Range:	0 – 30 dB Nominal Min
Attenuation Flatness: 0 – 10 dB.....	0.4 dB Peak-Peak Max
 >10 – 20 dB	0.6 dB Peak-Peak Max
 >20 – 30 dB	0.7 dB Peak-Peak Max
Control Function:	8 Bit Positive Binary TTL
	(LSB = 0.125dB, MSB = 16dB)
Transfer Function Accuracy: 0 – 30 dB.....	±0.5 dB Max
VSWR (all settings):	1.7:1 Max
Settling Time (“±1dB of Target Setting”):	3µs Max (10µs<PW<0.1S)
Power Handling: Operating	+17 dBm CW/Peak Max
 Survival	+30 dBm CW/Avg Max
Temperature Coefficient (Over Operating Range):	±0.025 dB/°C
Power Supply (internally regulated):	+12 to +15Vdc @ 130 mA
	-12 to -15Vdc @ 60 mA
Connectors (RF):	SMA (female), Removable
Connector (Supply & Controls):	15-Pin D-Type Male
Impedance (Nominal):	50 Ohms Nominal
Quality:	Best-Commercial-Grade

Environmental Ratings:

Temperature:	{Operating: -40°C to +85°C} & {Storage: -50°C to +100°C}
Humidity:	MIL-STD-202F, Method 103B, Cond. B (96 hours at 95% R.H.)
Shock:	MIL-STD-202F, Method 213B, Cond. B (75G, 6mSec)
Vibration:	MIL-STD-202F, Method 204D, Cond. B (.06” double amplitude, or 15G)
Altitude:	MIL-STD-202F, Method 105C, Cond. B (50,000 Feet)
Temp. Shock:	MIL-STD-202F, Method 107D, Cond. A (5 cycles)

Available Options:

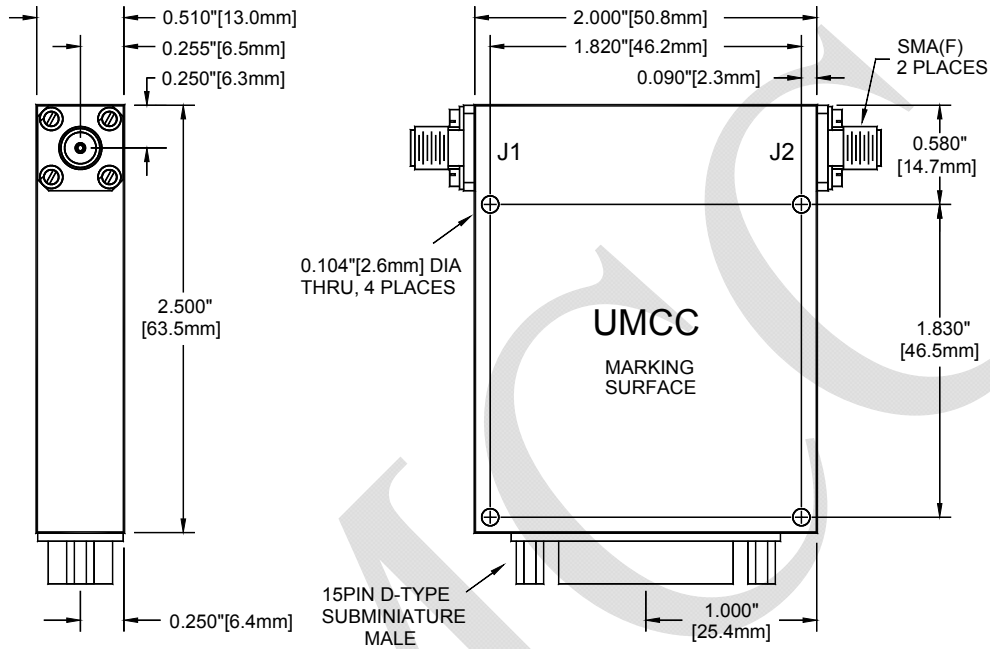
(Units with listed options here may be subject to some specification tradeoffs from the standard, consult factory)

- RF Connectors
 - B1 [J1 SMA (male)]
 - B2 [All SMA (male)]
- Transfer Functions
 - F3 [Inverse Logic (“00...00” = Max Attenuation)]
- Control Function Resolution
 - R1 [LSB = 0.1 dB <> 9-Bits <> “decimal steps”]
 - E2 [LSB = 1/16 dB <> 9-Bits <> “fractional steps”]
 - R2 [LSB = 0.05 dB <> 10-Bits <> “decimal steps”]
 - E3 [LSB = 1/32 dB <> 10-Bits <> “fractional steps”]
 - E4 [LSB = 1/64 dB <> 11-Bits <> “fractional steps”]



Model: AT-6000-30D

Outline



(Tolerances: ± 0.015 " [0.38mm] <> Weight = 3.2oz [90.7g])

Pin-Out Function

PIN	Function
1	N/C
2	N/C
3	N/C
4	N/C
5	0.125 dB
6	0.25 dB
7	0.5 dB
8	1.0 dB
9	2.0 dB
10	4.0 dB
11	8.0 dB
12	16.0 dB
13	+VDC
14	-VDC
15	GND (Chassis & Digital)

