



Model: AG-6000-30V

Description:.....	Voltage Controlled PIN Attenuator
Operating Frequency:.....	0.6 – 6 GHz
Insertion Loss (0dB Attn. Ref.):.....	2.5 dB Max
Attenuation Range:.....	0 - 30 dB Nominal
Attenuation Flatness:.....	0 – 10 dB..... 0.4 dB Peak-Peak Max
.....	>10 – 20 dB..... 0.6 dB Peak-Peak Max
.....	>20 – 30 dB..... 0.7 dB Peak-Peak Max
Control Function:.....	0 – 3V, 10dB/V, (Impedance = 5~10K)
Transfer Function Accuracy:.....	0 – 30 dB..... ±0.5 dB Max
VSWR (all settings):.....	1.7:1 Max
Settling Time (“±1dB of Target Setting”):.....	3µs Max (10µs<PW<0.1S)
Power Handling:.....	Operating..... +17 dBm CW/Peak Max
.....	Survival..... +30 dBm CW/Avg Max
Temperature Coefficient (Over Operating Range):.....	±0.025 dB/°C
Power Supply (internally regulated):.....	+12 to +15Vdc @ 130 mA
Connectors (RF):.....	SMA (female), Removable
Connector (Supply & Controls):.....	Solder Pins
Impedance:.....	50 Ohms Nominal
Quality:.....	Best-Commercial-Grade

Environmental Ratings:

Temperature:.....	{Operating: -40°C to +85°C} & {Storage: -50°C to +100°C}
Humidity:.....	MIL-STD-202F, Method 103B, Cond. B (96 hours at 95% R.H.)
Shock:.....	MIL-STD-202F, Method 213B, Cond. B (75G, 6mSec)
Vibration:.....	MIL-STD-202F, Method 204D, Cond. B (.06” double amplitude, or 15G)
Altitude:.....	MIL-STD-202F, Method 105C, Cond. B (50,000 Feet)
Temp. Shock:.....	MIL-STD-202F, Method 107D, Cond. A (5 cycles)

Available Options:

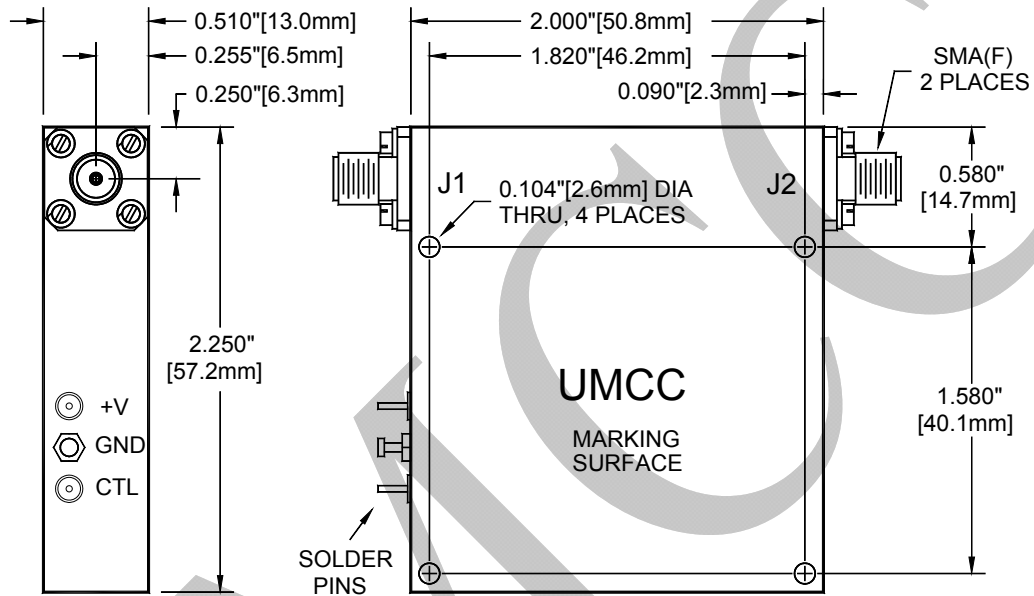
(Units with listed options here may be subject to some specification tradeoffs from the standard, consult factory)

- RF Connectors
 - B1** [J1 SMA (male)]
 - B2** [All SMA (male)]
- Transfer Functions
 - F1** [Slope = 5dB/V , 0 – 6V Control]
 - F3** [Reverse Control Voltage (0V = Max Attenuation)]
- Control Connector
 - C1** [SMC (Jack), 50 Ω]
 - C2** [SMB (Jack), 50 Ω]
 - C3** [SMA (female)]



Model: AG-6000-30V

Outline



Weight	Tolerances
2.7 oz [77 g]	±0.015" [±0.38mm]