



Model: AG-3000-60V

Table with 2 columns: Description and specifications. Includes rows for Operating Frequency, Insertion Loss, Attenuation Range, Control Function, etc.

Environmental Ratings:

Table with 2 columns: Parameter and rating. Includes rows for Temperature, Humidity, Shock, Vibration, Altitude, Temp. Shock.

Available Options:

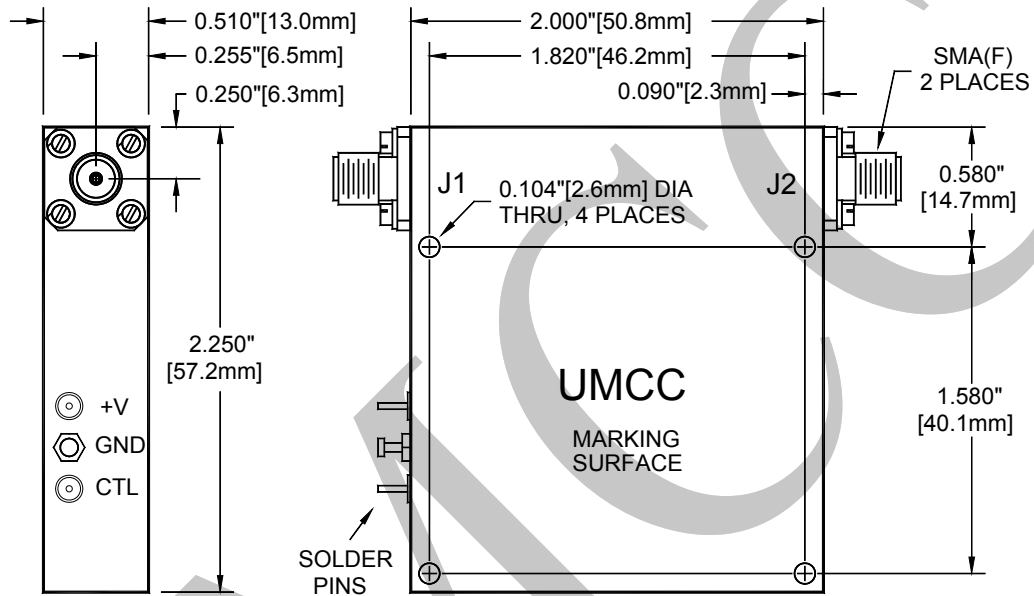
(Units with listed options here may be subject to some specification tradeoffs from the standard, consult factory)

- RF Connectors (B1, B2), Transfer Functions (F1, F3), Control Connector (C1, C2, C3)



Model: AG-3000-60V

Outline



Weight	Tolerances
2.7 oz [77 g]	±0.015" [±0.38mm]