



**Model: AG-2000-30V**

Description:.....	Voltage Controlled PIN Attenuator
Operating Frequency:.....	10 – 2000 MHz
Insertion Loss (0dB Attn. Ref.): .....	2.8 dB Max
Attenuation Range:.....	0 - 30 dB Nominal
Attenuation Flatness:.....	0 – 10 dB..... 0.4 dB Peak-Peak Max
.....	>10 – 20 dB ..... 0.6 dB Peak-Peak Max
.....	>20 – 30 dB ..... 0.8 dB Peak-Peak Max
Control Function: .....	0 – 3V, 10dB/V, (Impedance = 5~10K)
Transfer Function Accuracy:.....	0 – 30 dB..... ±0.5 dB Max
VSWR (all settings): .....	1.5:1 Max
Settling Time (“±1dB of Target Setting”):.....	25µs Max (50µs<PW<0.1S)
Power Handling: .....	Operating ..... +14 dBm CW/Peak Max
.....	Survival ..... +30 dBm CW/Avg Max
Temperature Coefficient (Over Operating Range):.....	±0.025 dB/°C
Power Supply (internally regulated): .....	+12 to +15Vdc @ 150 mA
Connectors (RF):.....	SMA (female), Removable
Connector (Supply & Controls):.....	Solder Pins
Impedance:.....	50 Ohms Nominal
Quality:.....	Best-Commercial-Grade

**Environmental Ratings:**

Temperature:.....	{Operating: -40°C to +85°C} & {Storage: -50°C to +100°C}
Humidity: .....	MIL-STD-202F, Method 103B, Cond. B (96 hours at 95% R.H.)
Shock: .....	MIL-STD-202F, Method 213B, Cond. B (75G, 6mSec)
Vibration: .....	MIL-STD-202F, Method 204D, Cond. B (.06” double amplitude, or 15G)
Altitude: .....	MIL-STD-202F, Method 105C, Cond. B (50,000 Feet)
Temp. Shock: .....	MIL-STD-202F, Method 107D, Cond. A (5 cycles)

**Available Options:**

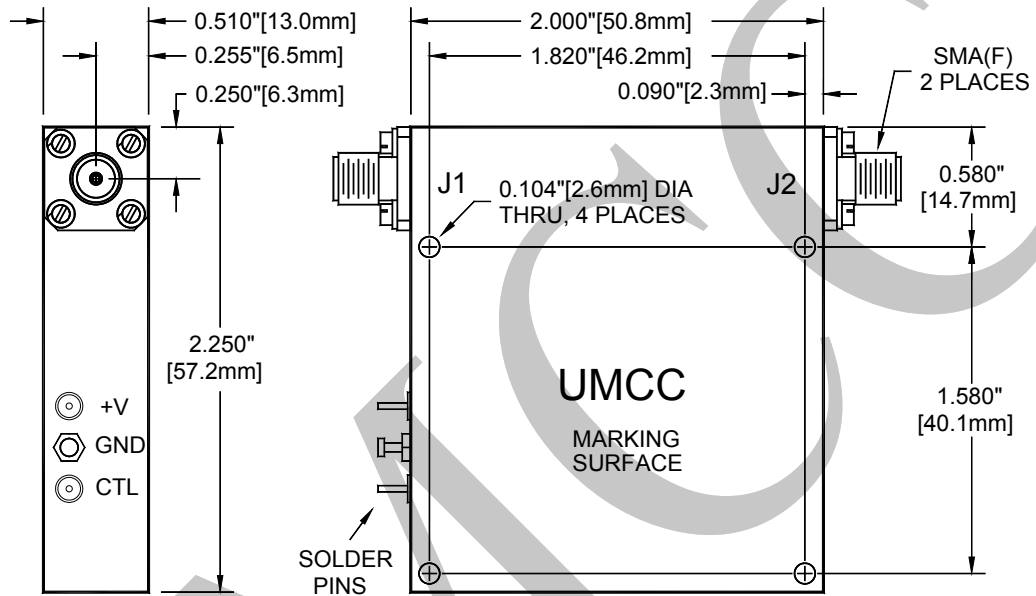
(Units with listed options here may be subject to some specification tradeoffs from the standard, consult factory)

- RF Connectors
  - B1 [ J1 SMA (male) ]
  - B2 [ All SMA (male) ]
- Control Impedance
  - D1 [ 50 Ω, Internally Terminated ]
- Transfer Functions
  - F1 [ Slope = 5dB/V , 0 – 6V Control]
  - F3 [ Reverse Control Voltage (0V = Max Attenuation) ]
- Control Connector
  - C1 [ SMC (Jack), 50 Ω ]
  - C2 [ SMB (Jack), 50 Ω ]
  - C3 [ SMA (female) ]



**Model: AG-2000-30V**

**Outline**



Weight	Tolerances
2.7 oz [77 g]	±0.015" [±0.38mm]