



Model: AT-B000-HC

| | |
|---|-------------------------------------|
| Description: | Current Controlled PIN Attenuator |
| Operating Frequency: | 500 - 1000 MHz |
| Insertion Loss (0dB Attn. Ref.): | 1.7 dB Max |
| Attenuation Range: | 0 - 60dB Nominal Min |
| Attenuation Flatness: | 0.6 dB PK-PK up to 10 dB |
| | 1.6 dB PK-PK up to 20 dB |
| | 2.8 dB PK-PK up to 40 dB |
| | 3.0 dB PK-PK up to 50 dB |
| | 3.2 dB PK-PK up to 60 dB |
| Control Function: | 0 – 10 mA Forward Current (approx.) |
| VSWR (all settings): | 1.4:1 Max |
| Settling Time (“±1dB of Target Setting”): | 750 ns Max, (10µs<PW<0.1s) |
| Power Handling: | Operating +12 dBm CW/Peak Max |
| | Survival +30 dBm CW/AVG Max |
| Connectors (RF): | SMA (f), Removable |
| Connector (Supply & Controls): | Solder Pins |
| Impedance: | 50 Ohms Nominal |
| Quality: | Best-Commercial-Grade |

Environmental Ratings:

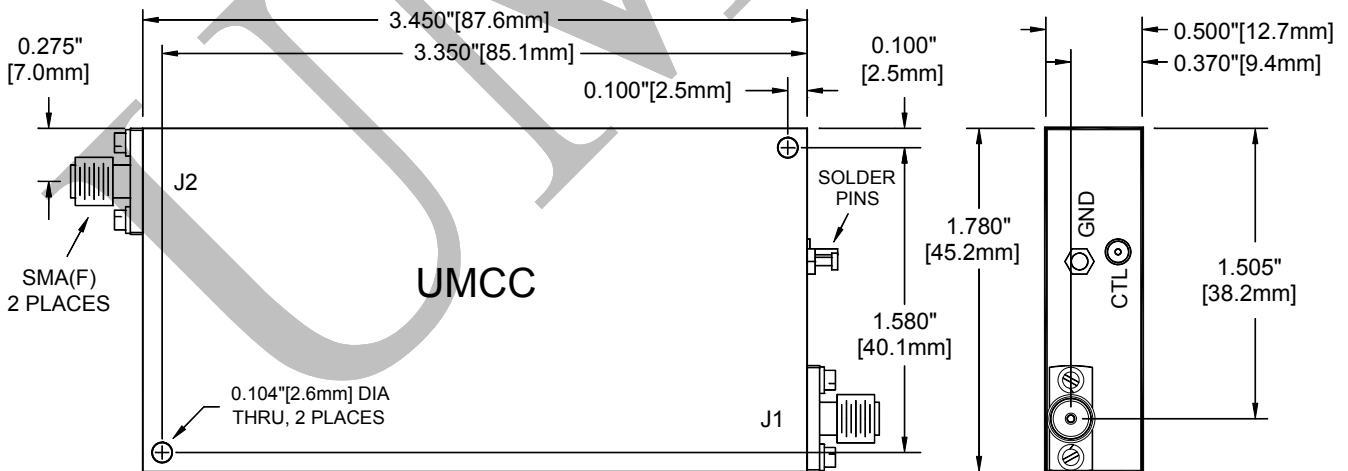
| | |
|--------------|--|
| Temperature: | {Operating: -40°C to +85°C} & {Storage: -50°C to +100°C} |
| Humidity: | MIL-STD-202F, Method 103B Cond. B (96 hours at 95% R.H.) |
| Shock: | MIL-STD-202F, Method 213B, Cond. B (75G, 6mSec) |
| Vibration: | MIL-STD-202F, Method 204D, Cond. B (.06" double amplitude, or 15G) |
| Altitude: | MIL-STD-202F, Method 105C, Cond. B (50,000 Feet) |
| Temp. Shock: | MIL-STD-202F, Method 107D, Cond. A (5 cycles) |

Available Options:

(Units with listed options here may be subject to some specification tradeoffs from the standard, consult factory)

- RF Connectors
 - B1 [J1 SMA (male)]
 - B2 [All SMA (male)]

Outline



(Tolerances: ±0.015" [0.38mm])