



**Model: AG-E000-HV**

Description:.....	Voltage Controlled PIN Attenuator	
Operating Frequency:.....	4 - 8 GHz	
Insertion Loss (0dB Attn. Ref.): .....	2.2 dB Max	
Attenuation Range:.....	0 - 60dB Nominal Min	
Attenuation Flatness:.....	0.6 dB PK-PK .....	up to 10 dB
.....	1.6 dB PK-PK .....	up to 20 dB
.....	2.8 dB PK-PK .....	up to 40 dB
.....	3.2 dB PK-PK .....	up to 50 dB
.....	3.6 dB PK-PK .....	up to 60 dB
Control Function: .....	0-6 V, 10dB/Volt, (Impedance ~ 2.5KΩ)	
Transfer Function Accuracy:.....	0 - 0.8 dB .....	±50% Max
.....	> 0.8 - 10 dB .....	±0.40 dB Max
.....	> 10 - 30 dB .....	±0.50 dB Max
.....	> 30 - 50 dB .....	±0.90 dB Max
.....	> 50 - 60 dB .....	±1.20 dB Max
VSWR (all settings): .....	1.45:1 Max	
Settling Time ("±1dB of Target Setting"):.....	500 ns Max, (5µs<PW<0.1s)	
Power Handling: .....	Operating.....	+20 dBm CW/Peak Max
.....	Survival.....	+30 dBm CW/AVG Max
Connectors (RF):.....	SMA (f), Removable	
Connector (Supply & Controls):.....	Solder Pins	
Temperature Coefficient (over -20°C to +75°C).. .....	±0.025dB/°C Max	
Power Supply (internally regulated): .....	+12 to +15vdc @ 60mA Max	
Impedance:.....	50 Ohms Nominal	
Quality:.....	Best-Commercial-Grade	

**Environmental Ratings:**

Temperature:.....	{Operating: -40°C to +85°C} & {Storage: -50°C to +100°C}
Humidity: .....	MIL-STD-202F, Method 103B, Cond. B (96 hours at 95% R.H.)
Shock: .....	MIL-STD-202F, Method 213B, Cond. B (75G, 6mSec)
Vibration: .....	MIL-STD-202F, Method 204D, Cond. B (.06" double amplitude, or 15G)
Altitude: .....	MIL-STD-202F, Method 105C, Cond. B (50,000 Feet)
Temp. Shock: .....	MIL-STD-202F, Method 107D, Cond. A (5 cycles)

**Available Options:**

(Units with listed options here may be subject to some specification tradeoffs from the standard, consult factory)

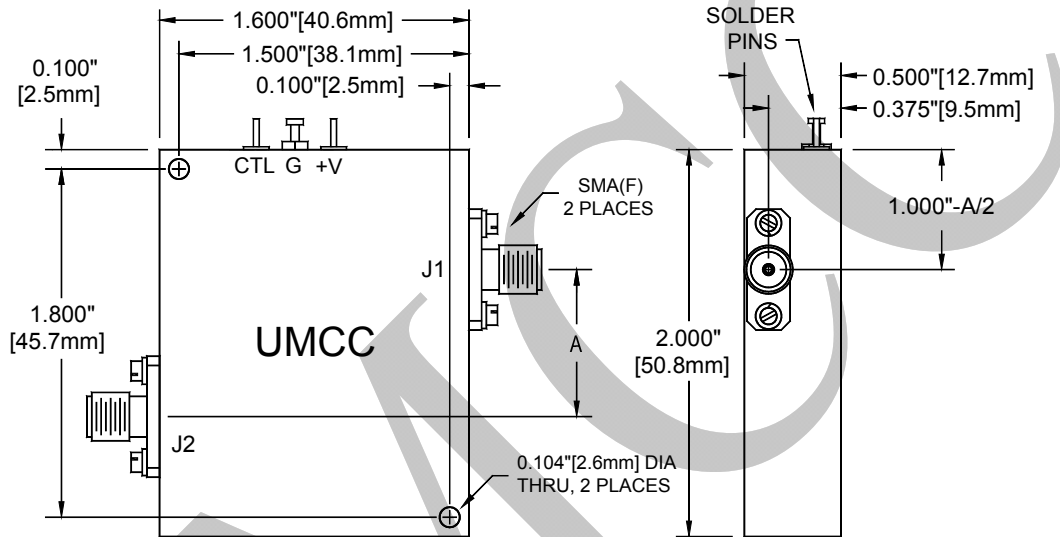
- RF Connectors
  - B1 [ J1 SMA (male) ]
  - B2 [ All SMA (male) ]
- Control Connector
  - C1 [ SMC (Jack), 50 Ω ]
  - C2 [ SMB (Jack), 50 Ω ]
  - C3 [ SMA (female) ]
- Transfer Functions
  - F1 [ Slope = 5dB/Volt ]
  - F3 [ Reverse Control Voltage (0V = Max Attenuation) ]
- Attenuation Range
  - G1 [ 30dB Range / Slope = 5dB / Volt ]



**Model: AG-E000-HV**

**Outline**

( "A" = 0.435" [11.0mm] )



Weight	Tolerances
2.2 oz [62.4 g]	±0.015" [±0.38mm]