



Model: AG-D000-HV

Description:.....	Voltage Controlled PIN Attenuator	
Operating Frequency:.....	2 - 4 GHz	
Insertion Loss (0dB Attn. Ref.):	1.7dB Max	
Attenuation Range:.....	0 - 60dB Nominal Min	
Attenuation Flatness:.....	0.6 dB PK-PK	up to 10 dB
.....	1.6 dB PK-PK	up to 20 dB
.....	2.8 dB PK-PK	up to 40 dB
.....	3.0 dB PK-PK	up to 50 dB
.....	3.4 dB PK-PK	up to 60 dB
Control Function:	0-6 V, 10dB/Volt, (Impedance ~ 2.5KΩ)	
Transfer Function Accuracy:.....	0 - 0.8 dB	±50% Max
.....	> 0.8 - 10 dB	±0.40 dB Max
.....	> 10 - 30 dB	±0.50 dB Max
.....	> 30 - 50 dB	±0.90 dB Max
.....	> 50 - 60 dB	±1.20 dB Max
VSWR (all settings):	1.45:1 Max	
Settling Time ("±1dB of Target Setting"):.....	500 ns Max, (5µs<PW<0.1s)	
Power Handling:	Operating.....	+20 dBm CW/Peak Max
.....	Survival.....	+30 dBm CW/AVG Max
Connectors (RF):.....	SMA (f), Removable	
Connector (Supply & Controls):.....	Solder Pins	
Temperature Coefficient (over -20°C to +75°C)..	±0.025dB/°C Max	
Power Supply (internally regulated):	+12 to +15vdc @ 60mA Max	
Impedance:.....	50 Ohms Nominal	
Quality:.....	Best-Commercial-Grade	

Environmental Ratings:

Temperature:.....	{Operating: -40°C to +85°C} & {Storage: -50°C to +100°C}
Humidity:	MIL-STD-202F, Method 103B, Cond. B (96 hours at 95% R.H.)
Shock:	MIL-STD-202F, Method 213B, Cond. B (75G, 6mSec)
Vibration:	MIL-STD-202F, Method 204D, Cond. B (.06" double amplitude, or 15G)
Altitude:	MIL-STD-202F, Method 105C, Cond. B (50,000 Feet)
Temp. Shock:	MIL-STD-202F, Method 107D, Cond. A (5 cycles)

Available Options:

(Units with listed options here may be subject to some specification tradeoffs from the standard, consult factory)

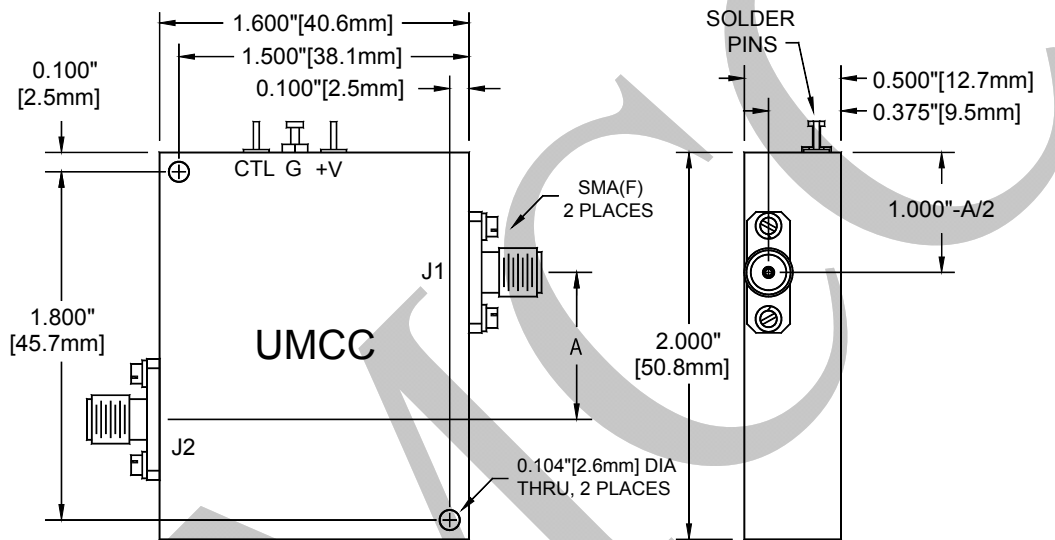
- RF Connectors
 - B1 [J1 SMA (male)]
 - B2 [All SMA (male)]
- Control Connector
 - C1 [SMC (Jack), 50 Ω]
 - C2 [SMB (Jack), 50 Ω]
 - C3 [SMA (female)]
- Transfer Functions
 - F1 [Slope = 5dB/Volt]
 - F3 [Reverse Control Voltage (0V = Max Attenuation)]
- Attenuation Range
 - G1 [30dB Range / Slope = 5dB / Volt]



Model: AG-D000-HV

Outline

("A" = 0.760" [19.3mm])



Weight	Tolerances
2.2 oz [62.4 g]	±0.015" [±0.38mm]