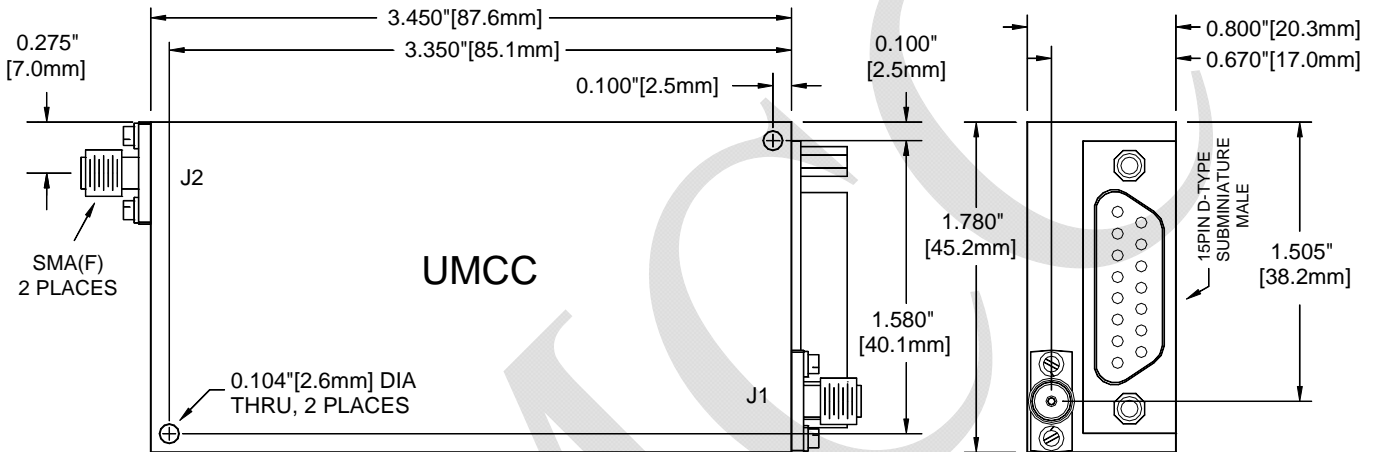


Outline Drawing

Standard Models
AG-B000-HD
AE-B000-40D



(Tolerances: ± 0.015 " [0.38mm])

Function Table	
PIN	Function
1	N/C
2	N/C
3	N/C
4	N/C
5	0.25 dB
6	0.5 dB
7	1.0 dB
8	2.0 dB
9	4.0 dB
10	8.0 dB
11	16.0 dB
12	32.0 dB
13	+VDC
14	N/C
15	GND (Chassis & Digital)