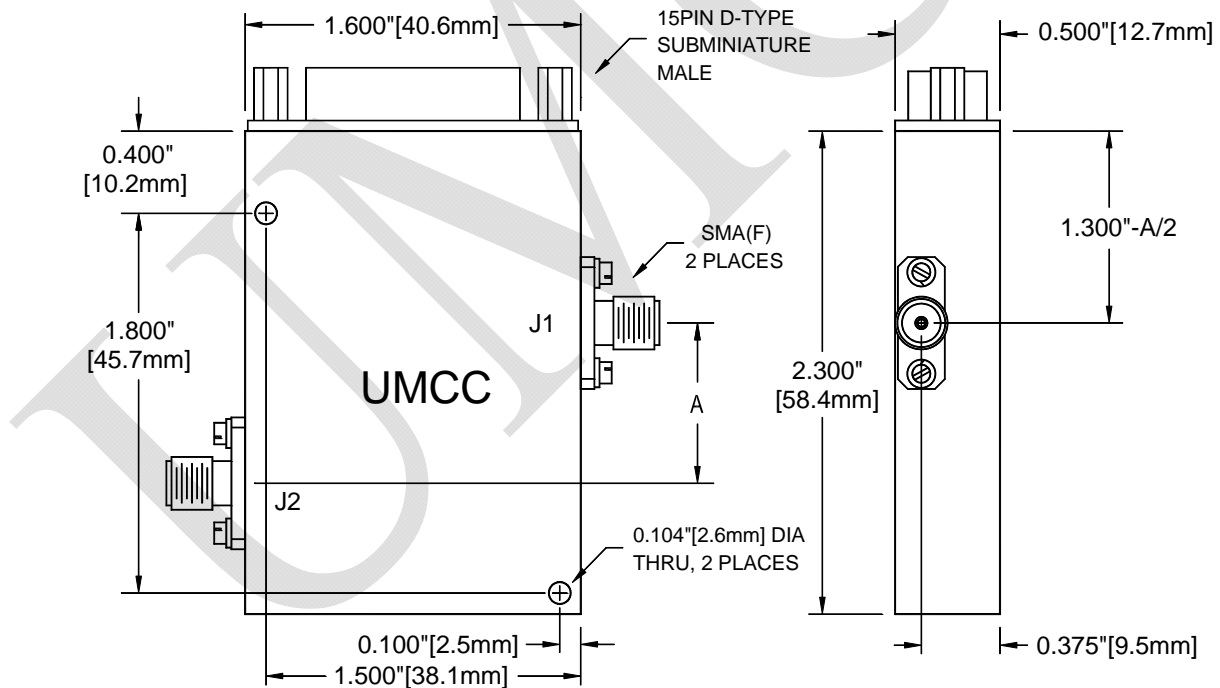


Outline Drawing

Standard Models	"A"
AG-C000-HD	1.350"[34.3mm]
AG-CD00-HD	0.950"[24.1mm]
AG-D000-HD	0.760"[19.3mm]
AG-H000-HD	0.515"[13.1mm]
AG-E000-HD	0.435"[11.0mm]
AG-Y000-HD	0.345"[8.8mm]
AG-Q000-HD	0.325"[8.3mm]
AG-N000-HD	0.214"[5.4mm]

Pin-Out Function

PIN	Function
1	N/C
2	N/C
3	N/C
4	N/C
5	0.25 dB
6	0.5 dB
7	1.0 dB
8	2.0 dB
9	4.0 dB
10	8.0 dB
11	16.0 dB
12	32.0 dB
13	+VDC
14	N/C
15	GND (Chassis/Digital)



Weight	Tolerances
2.4 oz [68 g]	±0.015" [±0.38mm]